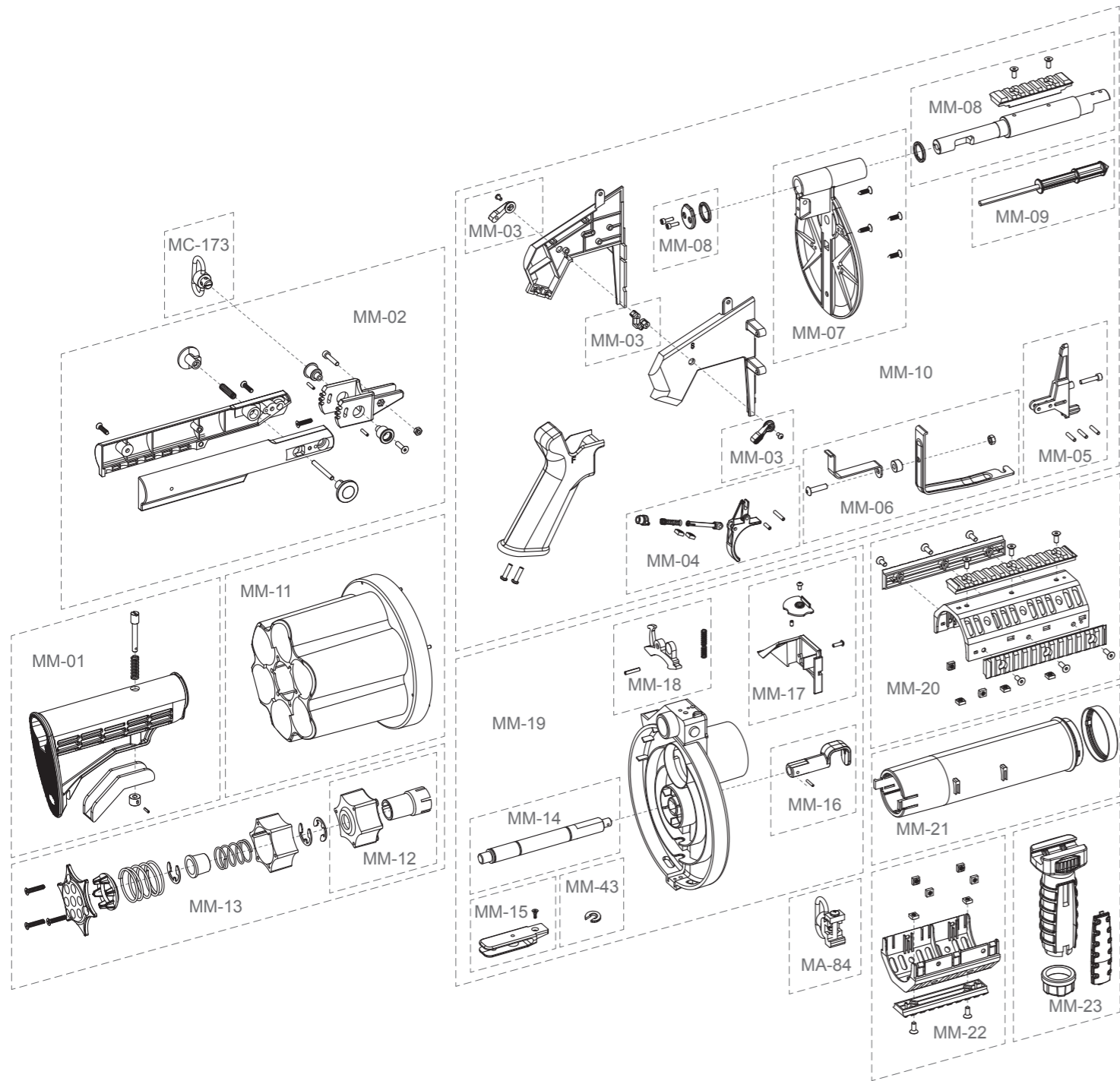


8

各部零件說明  
Description

ICS-190

\*每一款槍型基本配備不同依實際出貨為主。圖片僅供參考。  
The components/accessories for each model may have kind of differences depending on the actual goods. Images are only for reference.



**WARNING 警告** 電槍使用之注意事項 Maintenance

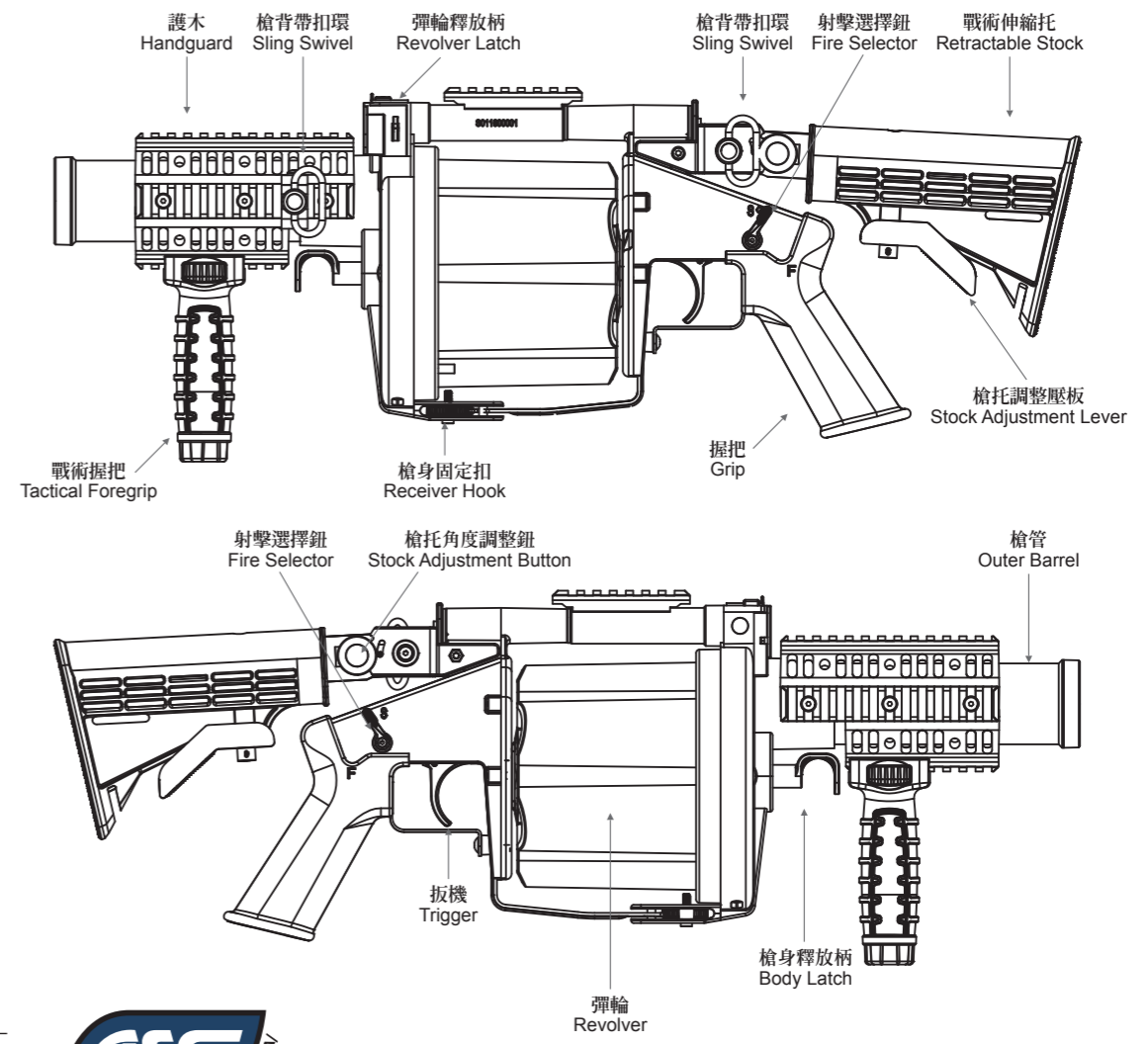
- 請勿使用劣質或回收BB彈，以減少槍管損耗及避免卡彈。
- 一旦發生卡彈、作動不順暢時，應立即停止射擊。
- 不使用本產品時，請務必將射擊選擇鈕置於保險(S)的位置上，並將槍卸卸下朝安全位置將氣體卸除後妥善保管。
- 彈頭直徑6mm。其槍口動能為二焦耳以下、射程範圍為50公尺以內。
- 適用年齡為18歲以上。
- 使用本商品不得改造或變造，並不得使用金屬彈頭。
- 「此槍非玩具」，濫用可能造成嚴重傷害，尤其是眼睛。使用時應確保本身及射擊範圍內所有人員均已確實穿戴護目鏡。
- 使用方法及注意事項請詳閱說明書內容。  
(原產地：台灣 / 製造商：一芝軒企業有限公司 / 地址：台中市神岡區東洲路79巷67號 / 電話：04-25256461)

- To reduce the abrasion of inner barrel and to avoid BB jam, please do not use inferior or reused BB pellets.
- If your MGL is jammed or cannot operate fluently, please stop shooting immediately.
- Please engage the safety, unload the grenades, exhaust the gas inside the grenades toward safety location, then store them properly when not using.
- The diameter of the BB pellet is 6mm. The muzzle energy is less than two joules, and the shooting range is within 50 meters.
- The recommended age to operate this product is 18 years old and above.
- Modify, reform, using of metal bullets on this product are strictly forbidden.
- This is NOT a toy. Abusing might cause severe injuries, especially to the eyes. Before operating, please make sure that every personnel in the shooting range have worn eye protections properly, including the operator himself.
- Please read the manual for instruction and precaution.  
Origin: Taiwan / Manufacturer: ICS enterprise Co., Ltd / Address: No.67, Ln. 79, Dongzhou Rd., Shengang Dist., Taichung City 429, Taiwan / TEL : (+886) 4-2525-6461



1

各部名稱  
Series Component



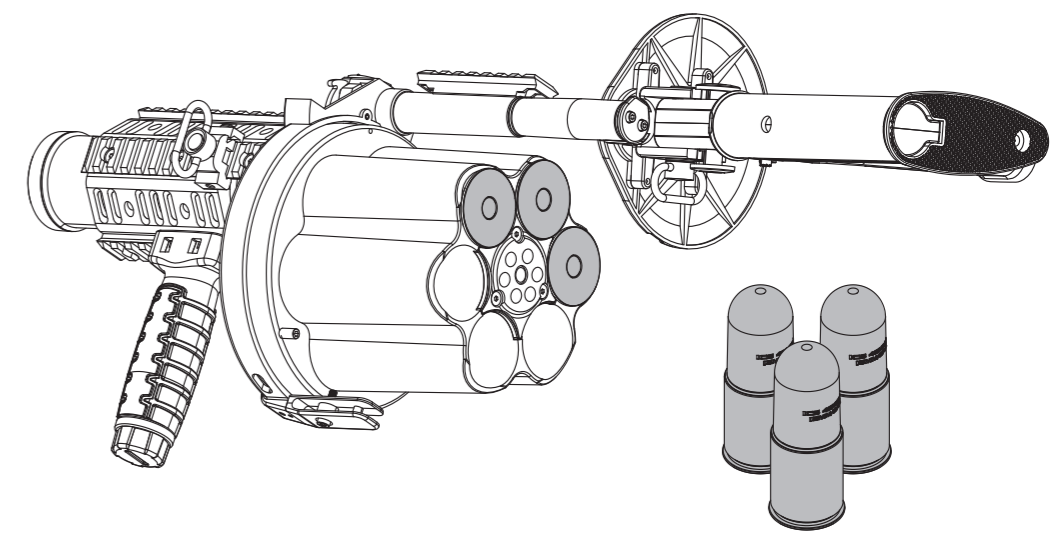
Milkor, (PTY) Ltd., South Africa, and the milkor logo are registered trademarks of Milkor (PTY) Ltd., South Africa - www.milkor.co.za - and are used for airsoft replicas under license from ActionSportGames A/S, Denmark - www.actionsportgames.com.

相關系列產品型號與詳細規格，請以官方網站公布為主。  
For related series product models and detailed specifications, please refer to the official website.

2 榴彈裝填方式  
Loading Grenades

依造步驟3-1將彈輪上膛後，再放入6顆榴彈。  
Please load the cylinder according to step 3-1 before you load the grenades.

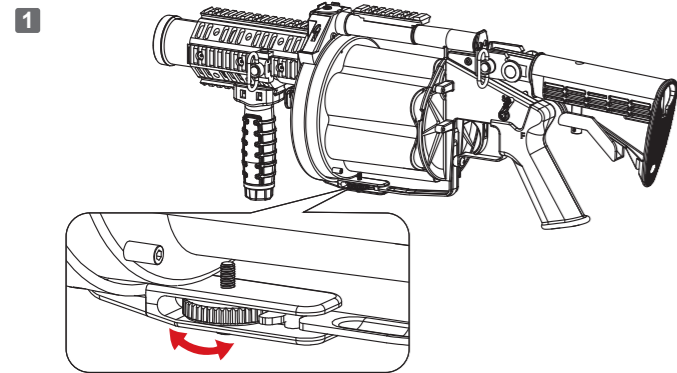
建議使用 6mm BB彈。  
6mm caliber BBs are recommended for optimum performance.



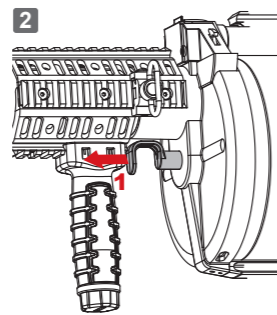


### 3 可動部的說明 Movable Parts

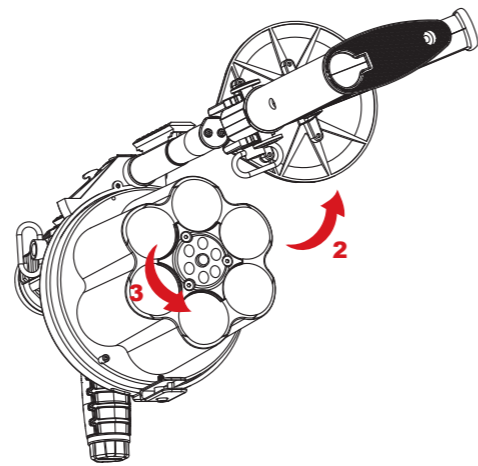
#### 3-1 槍身釋放 Revolver Latch Release



1 固定扣向右旋(順時針)：迫緊槍身使其固定。  
固定扣向左旋(逆時針)：放鬆後再把槍身釋放柄向前拉，即可旋開後槍身。  
Rotate the Receiver Hook CW to the right to enforce fixed the gun body.  
Rotate the Receiver Hook CCW to the left to release the handle guard to turn on the gun body.



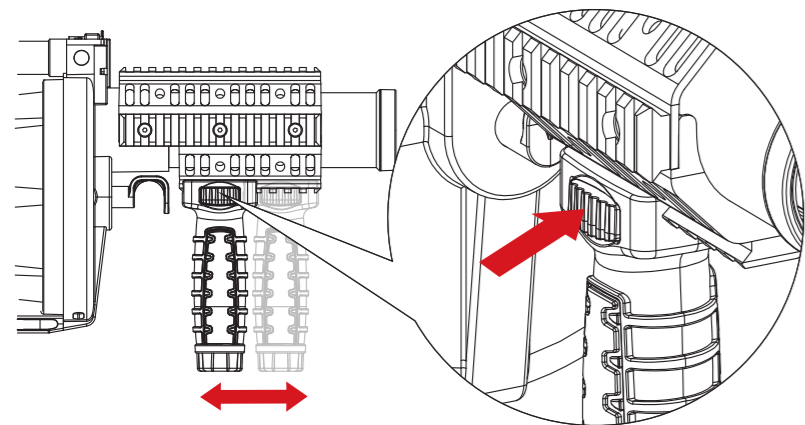
2 將槍身釋放柄向前拉  
2. 槍身後段逆時針旋轉  
3. 逆時針旋轉彈輪作上膛動作  
(轉到緊即可)



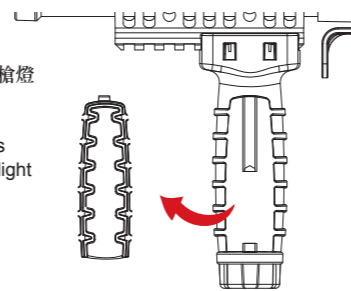
1. Pull the body latch forward.  
2. Twist the rear receiver to counter clockwise.  
3. Turn the revolver to counter clockwise rotation till tight for loading.

#### 3-2 戰術握把調整 Tactical Grip Adjustment

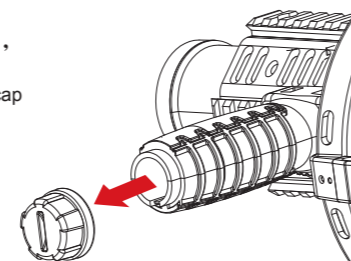
1 按鈕向內壓，握把即可前後調整。  
The position of the grip can be adjusted after pushing the button.



2 側邊飾條可拆卸並裝置槍燈  
雷射尾線開關。  
Grip side plate can be removed to equip press switch for tactical flashlight or laser target pointer.

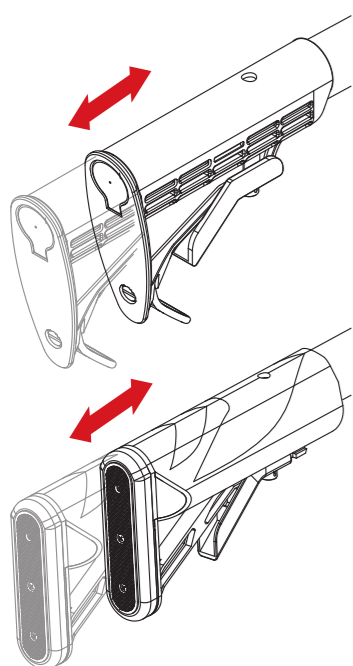


3 逆時鐘將握把底蓋旋開，  
握把內有儲藏空間。  
Unscrew the grip end cap counterclockwise to open. There is storage space inside the grip.

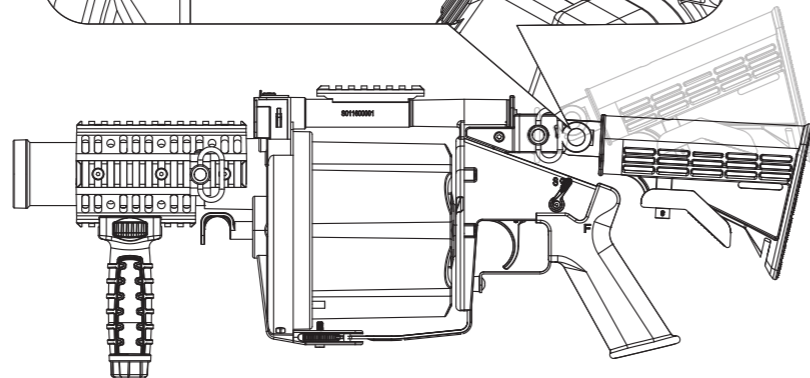
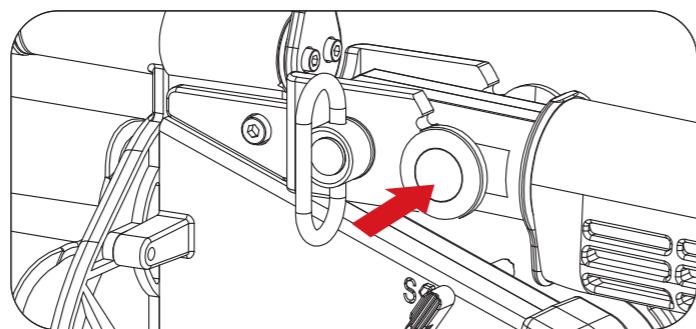


#### 3-3 伸縮托調整 Retractable Stock Adjustment

1 按壓槍托調整桿，即可將伸縮托向後拉或向前推，  
共有6段可供調整長度。  
Press and hold the stock adjustment lever to adjust stock length forward and backward.  
A total of 6 lengths are available for adjustment.



2 按壓槍托角度調整鈕可調整伸縮托角度，共有3段可調整。  
Press the stock angle adjustment button to adjust the angle of stock.  
A total of 3 angle degrees are available for adjustment.



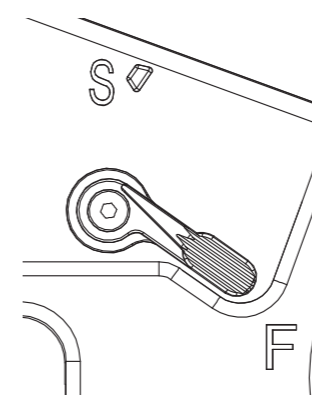
### 4 精確射擊調整動作 Precision Targeting Adjustment

#### 4-1 選擇射擊模式 Fire Mode

1 保險 Safe



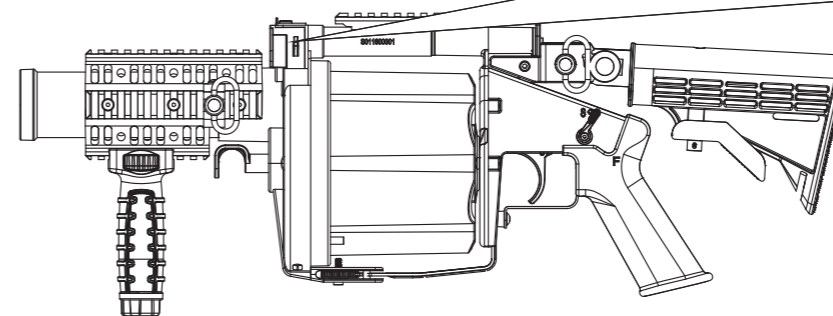
2 擊發 Fire



#### 5 簧力調整 Spring Adjustment

##### 5-1 簧力釋放 Spring Release

按壓彈輪釋放柄即可釋放彈輪簧力。  
Press the Revolver Latch to release the spring.



##### 5-2 簧力加強調整 Spring Tension Enhancement

不同型式之榴彈有不同的重量，可能造成彈輪簧力過強或不足，因此有可讓玩家自行  
調整彈輪簧力的設計，可依所使用不同榴彈的重量調整適當的彈輪簧力，以達到最佳  
射擊狀態。

當簧力減弱時，可將定位螺絲取下，依順時針方向向下一孔鎖付，以獲取最佳簧力。  
當簧力過強時，可將定位螺絲取下，依逆時針方向向下一孔鎖付，以獲取最佳簧力。

Different grenades have different weights, so they require different spring tension of the revolver to operate.  
The spring tension of the revolver is designed to be adjustable.  
It can be adjusted according to different weights of grenades you use, to obtain the most proper spring tension and best firing status.

When the spring tension is insufficient to work properly, remove the positioning screw and re-screw it into the next hole clockwise.  
When the spring tension is overpowered, remove the positioning screw and re-screw it into the next hole counterclockwise.

#### 4-2 擊發行程調整 Firing Stroke Adjustment

請依照不同型式之榴彈，以六角扳手調整擊發行程。  
Please adjust the firing stroke with a hex wrench according to different types of grenades you use.

