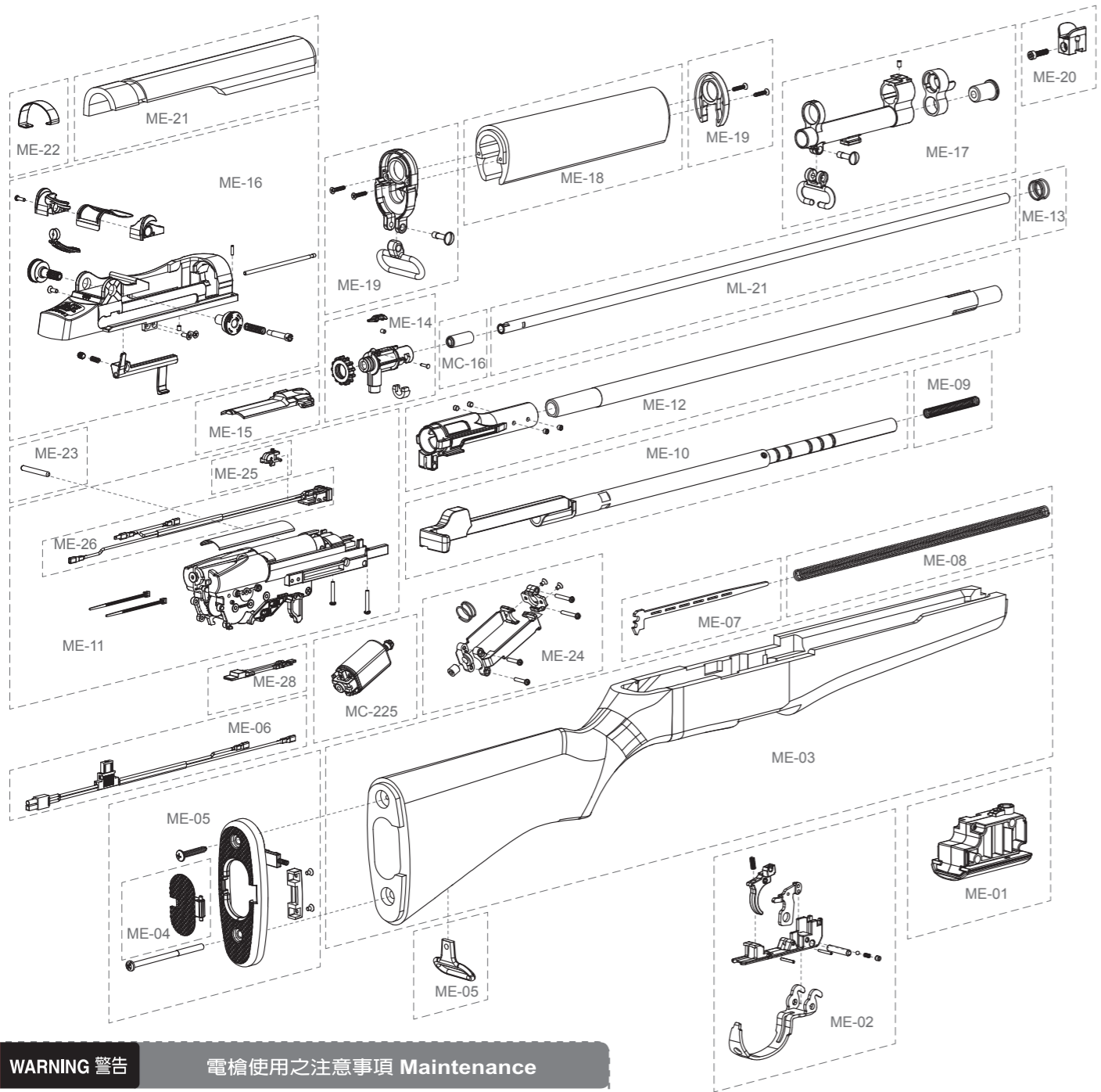


8 各部零件說明 Description

ICS-202

*每一款槍型基本配備不同依實際出貨為主。圖片僅供參考。
The components/accessories for each model may have kind of differences depending on the actual goods. Images are only for reference.

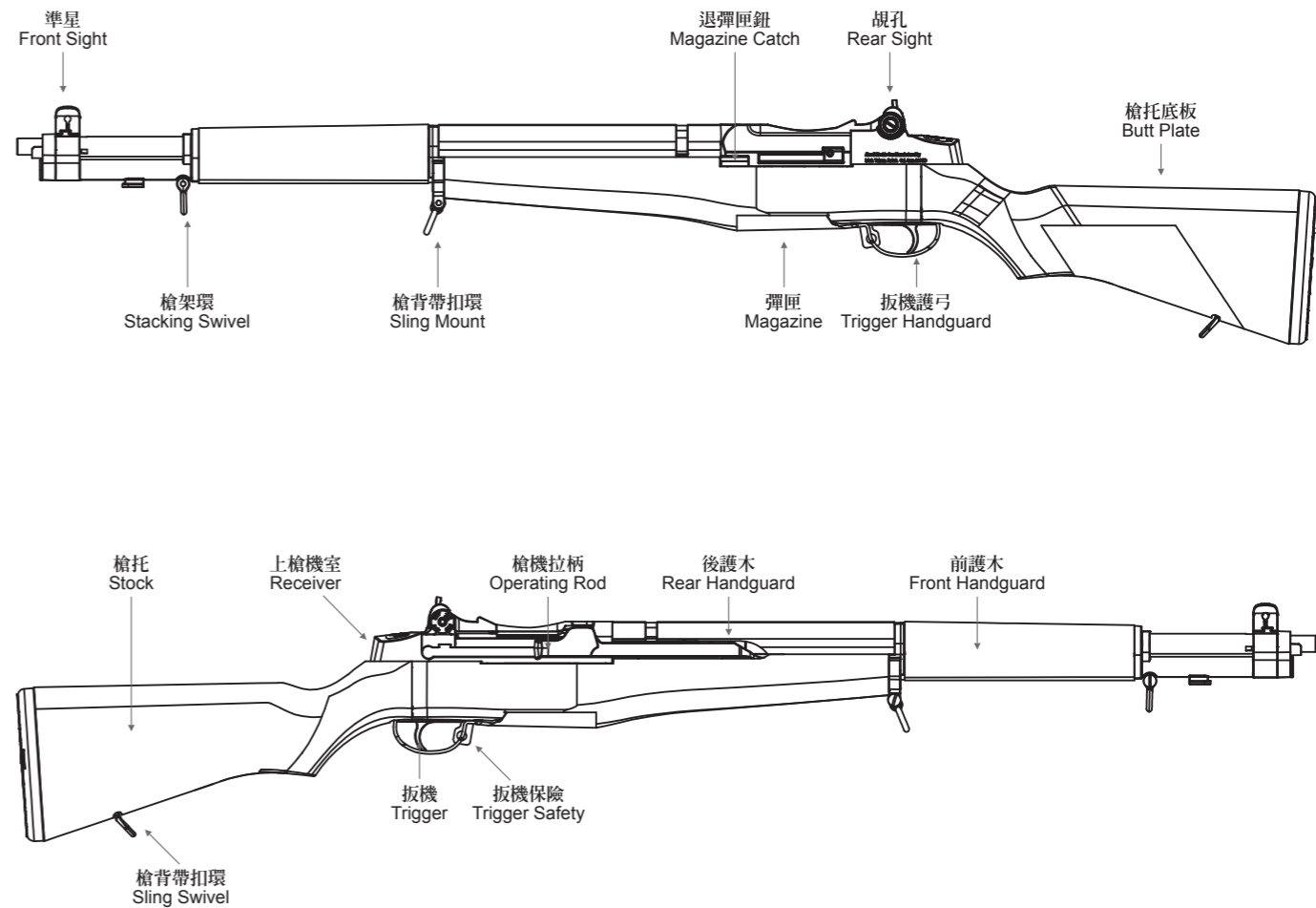


WARNING 警告 電槍使用之注意事項 Maintenance

- 請勿使用劣質或回收BB彈，以減少槍管損耗及避免卡彈。
- 一旦發生卡彈或射擊速度降低時，應立即停止射擊，以避免齒輪過度耗損。請使用通槍條將殘彈清除，或被測電池電量後方可繼續使用。
- 不使用本產品時，請務必將射擊選擇鈕置於保險(S)的位置上，將電池移除並定期使用通槍條清潔槍管。
- 請依照原廠附贈之保險絲規格使用。不當配置可能導致零件故障，槍內配置M100彈藥請用20A保險絲，M120彈藥請用25A保險絲。
- 彈頭直徑6mm。其槍口動能為二焦耳以下、射程範圍為50公尺以內。
- 適用年齡為18歲以上。
- 使用本商品不得改造或變造，並不得使用金屬彈頭。
- 「此槍非玩具」，濫用可能造成嚴重傷害，尤其是眼睛。使用時應確保本身及射擊範圍內所有人員均已確實穿戴護目鏡。
- 使用方法及注意事項請詳閱說明書內容。
- 建議使用以下電池以達到最大效益：
SSS系統建議使用7.4v & 11.1v Li-Po電池。
傳統電開與FET電開系統11.1v Li-Po電池Ready。
※使用非建議電池可能會造成產品效能低落、功能異常甚至損毀。
(原產地：台灣 / 製造商：一芝軒企業有限公司 / 地址：台中市神岡區東洲路79巷67號 / 電話：04-25256461)
- To reduce the abrasion of inner barrel and to avoid BB jam, please do not use inferior or reused BB pellets.
- If your gun is jammed or the muzzle velocity has decreased, please stop shooting immediately in case the gear abrades excessively. Use the clearing rod to clear out the remaining pellets, or check your battery power before continue using your gun.
- Please engage the safety, dismount the battery and clear the inner barrel with the clearing rod periodically when not using this product.
- Please use the same fuse specification as the original one. Equipping improper fuse might cause malfunction to the components. Apply 20A fuse if the gun using a M100 spring; apply 25A fuse if using M120 spring.
- The diameter of the BB pellet is 6mm. The muzzle energy is less than two joules, and the shooting range is within 50 meters.
- The recommended age to operate this product is 18 years old and above.
- Modify, reform, and using metal bullets on this product are strictly forbidden.
- This is NOT a toy. Abusing might cause severe injuries, especially to the eyes. Before operating, please make sure that every personnel in the shooting range have worn eye protections properly, including the operator.
- Please read the manual for instruction and precaution.
- In order to achieve the maximum performance, the following batteries are recommended:
SSS system: 7.4v or 11.1v Li-Po batteries.
Traditional switch and FET switch system: 11.1v Li-Po battery Ready.
※Using non-recommended batteries may cause poor performance, abnormal functions or even damage to the product.
Origin: Taiwan/ Manufacturer: ICS enterprise Co., Ltd / Address: No.67, Ln. 79, Dongzhou Rd., Shengang Dist., Taichung City 429, Taiwan / TEL: (+886) 4-2525-6461



1 各部名稱 Series Component



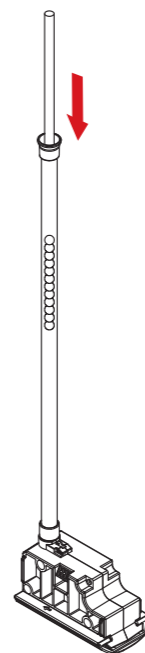
相關系列產品型號與詳細規格，請以官方網站公布為主。
For related series product models and detailed specifications, please refer to the official website.

2 彈匣使用方式 Magazine Attachment

2-1 裝BB彈方式 Load BBs

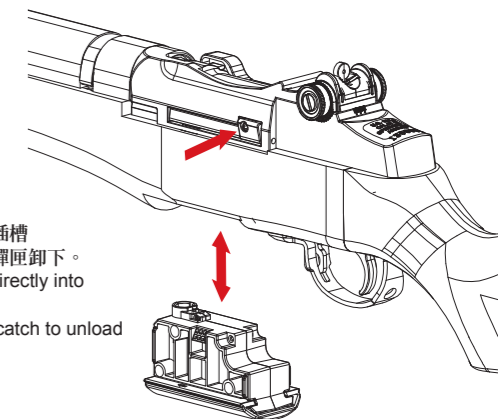
- 將填彈器插入彈匣填彈孔
- 將BB彈填入填彈器內
- 使用填彈棍將BB彈押入彈匣內

建議使用 6mm BB彈。
6mm caliber BBs are recommended for optimum performance.



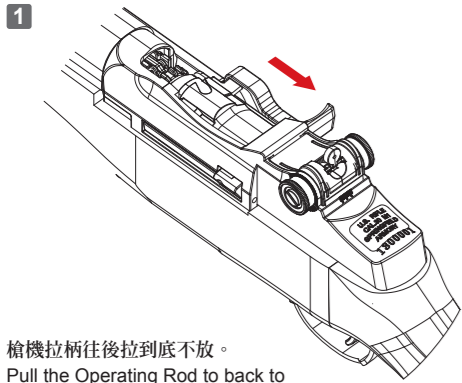
2-2 裝卸彈匣 Magazine Loading and Unloading

- 直接將彈匣插入彈匣插槽
- 按壓退彈匣鈕即可將彈匣卸下。

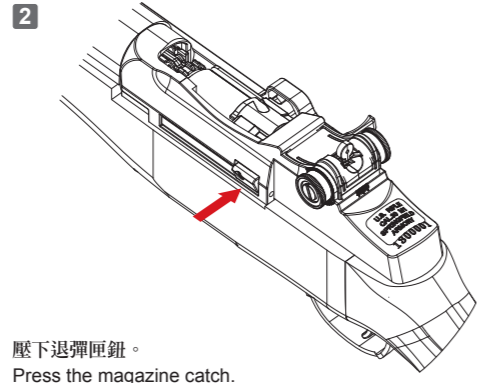


3 可動部的說明 Movable Parts

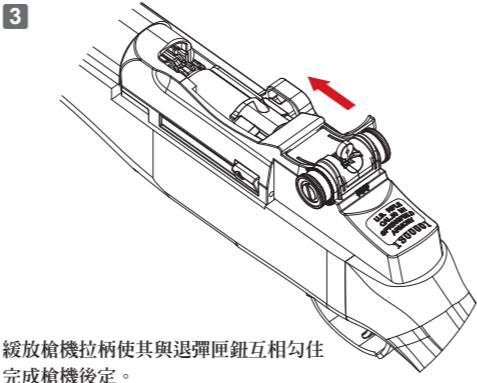
3-1 槍機後定 Bolt Rear-lock Action



槍機拉柄往後拉到底不放。
Pull the Operating Rod back to the end and hold.



壓下退彈匣鈕。
Press the magazine catch.



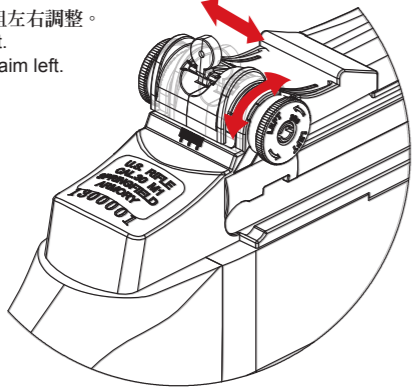
緩放槍機拉柄使其與退彈匣鈕互相勾住完成槍機後定。
Release the Operating Rod slowly to let it hook with the magazine catch automatically.

※ 釋放槍機時直接將拉柄往後拉到底再回彈。
※ Pull the Operating Rod back and release it from the end again to release.

4 精確射擊調整動作 Precision Targeting Adjustment

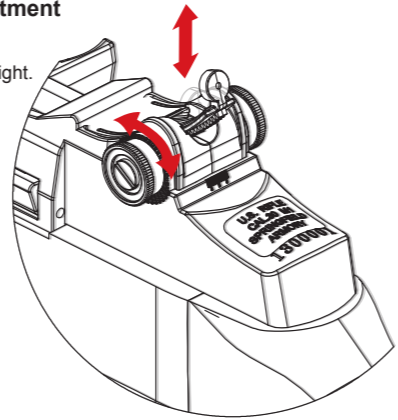
4-1 視孔左右調整 Rear Sights Windage Adjustment

依旋鈕方向旋轉即可將視孔組左右調整。
Rotate clockwise to aim right.
Rotate counter clockwise to aim left.



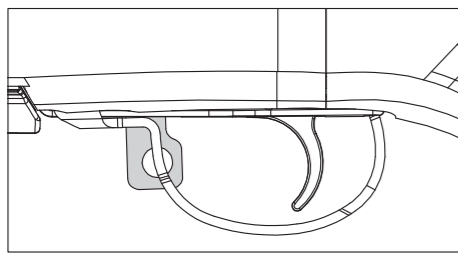
4-2 視孔上下調整 Rear Sights Height Adjustment

依旋鈕方向旋轉即可將視孔組上下調整。
Rotate the dial to adjust the height of the sight.

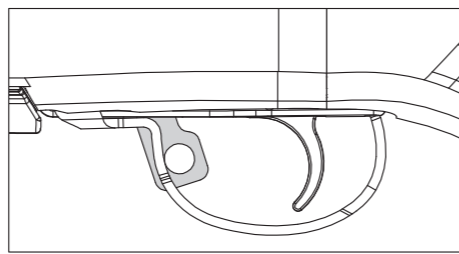


4-3 選擇射擊模式 Shooting Mode Setting

1 保險
Safe



2 單發
Semi

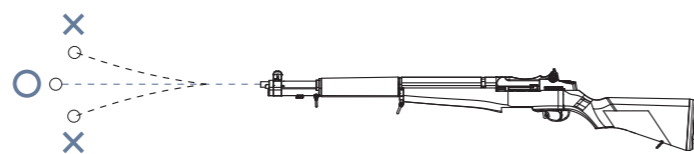
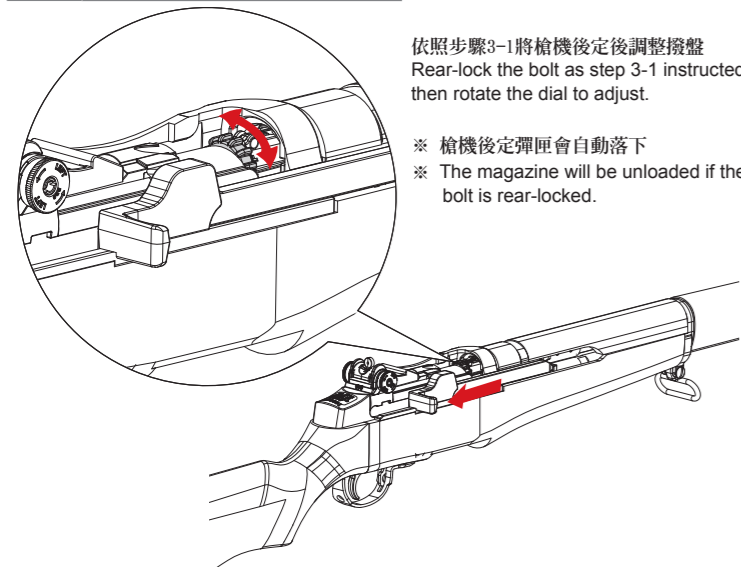


5 H-UP 彈道調整 H-UP Adjustment

注意 CAUTION 非必要時，手指請勿放置於H-UP調整處，避免受傷。
※ To avoid injuries, only put your finger on the H-up adjustment when necessary.

依照步驟3-1將槍機後定後調整撥盤
Rear-lock the bolt as step 3-1 instructed, then rotate the dial to adjust.

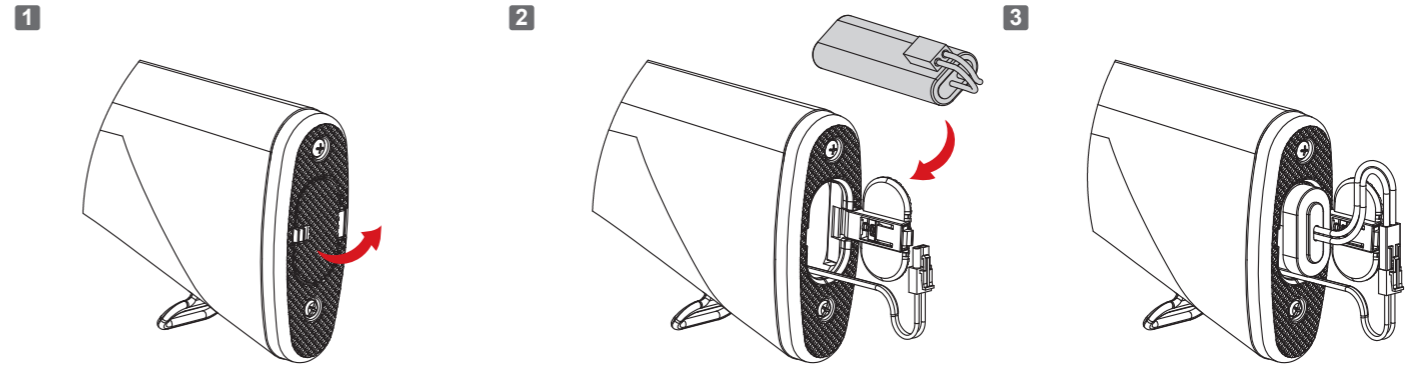
※ 槍機後定彈匣會自動落下
※ The magazine will be unloaded if the bolt is rear-locked.



H-UP調整：BB彈呈現一直線的彈道才是正確射法。
過於上飄：將撥盤向上旋轉。
過於下墜：將撥盤向下旋轉。
H-up Adjustment: Make sure the trajectory of the BB pellets to be straight.
When the BB pellet flies up: Push the H-UP lever forward to lower the trajectory.
When the BB pellet falls down: Push the H-UP lever backward to raise the trajectory.

6 電池的拆裝方法 Battery Installation and Disassembly

注意 CAUTION 重新組裝時，必須依反向動做組合。
※ Reassembling is the reverse of disassembling procedures.



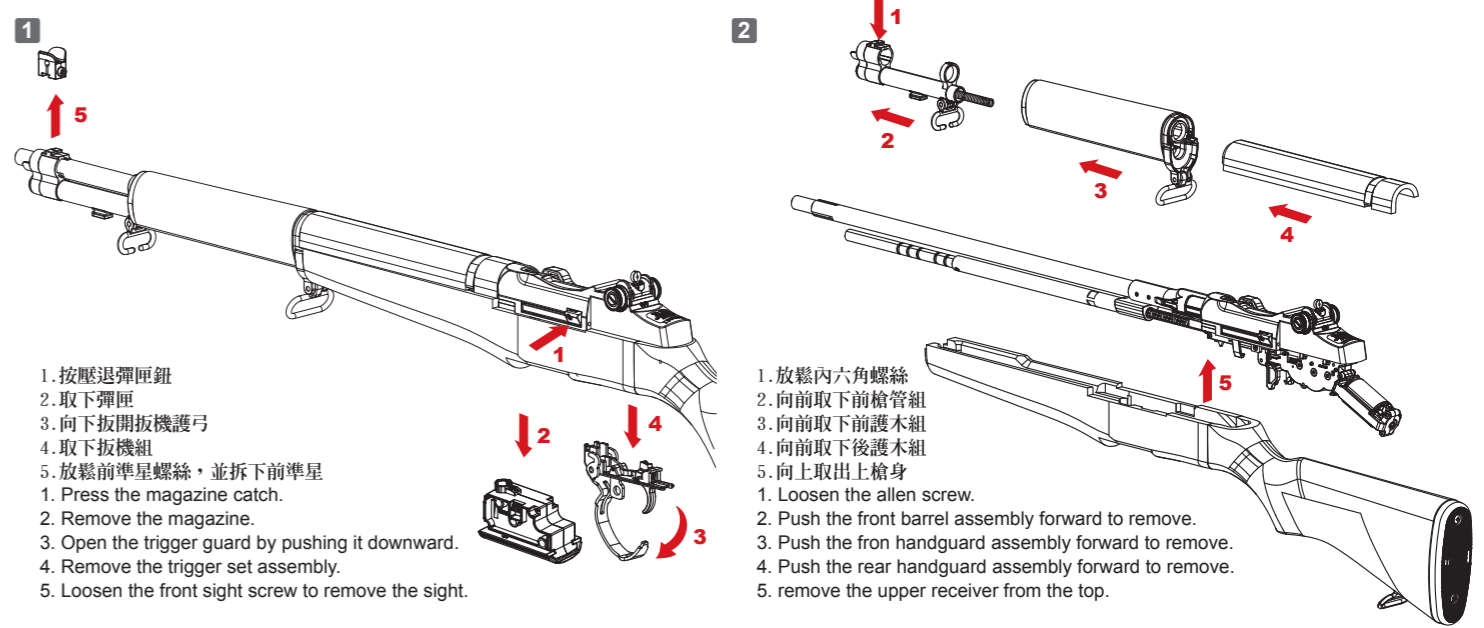
1 打開槍托底板上的電池蓋。
Open the battery space cover on the butt plate.

2 拉出電線，將電池裝入並接上電線。
Pull out the wire, insert the battery then wire it up.

3 將電池與電線定位好，再蓋上電池蓋。
Arrange both battery and wires in position, then close the battery space cover.

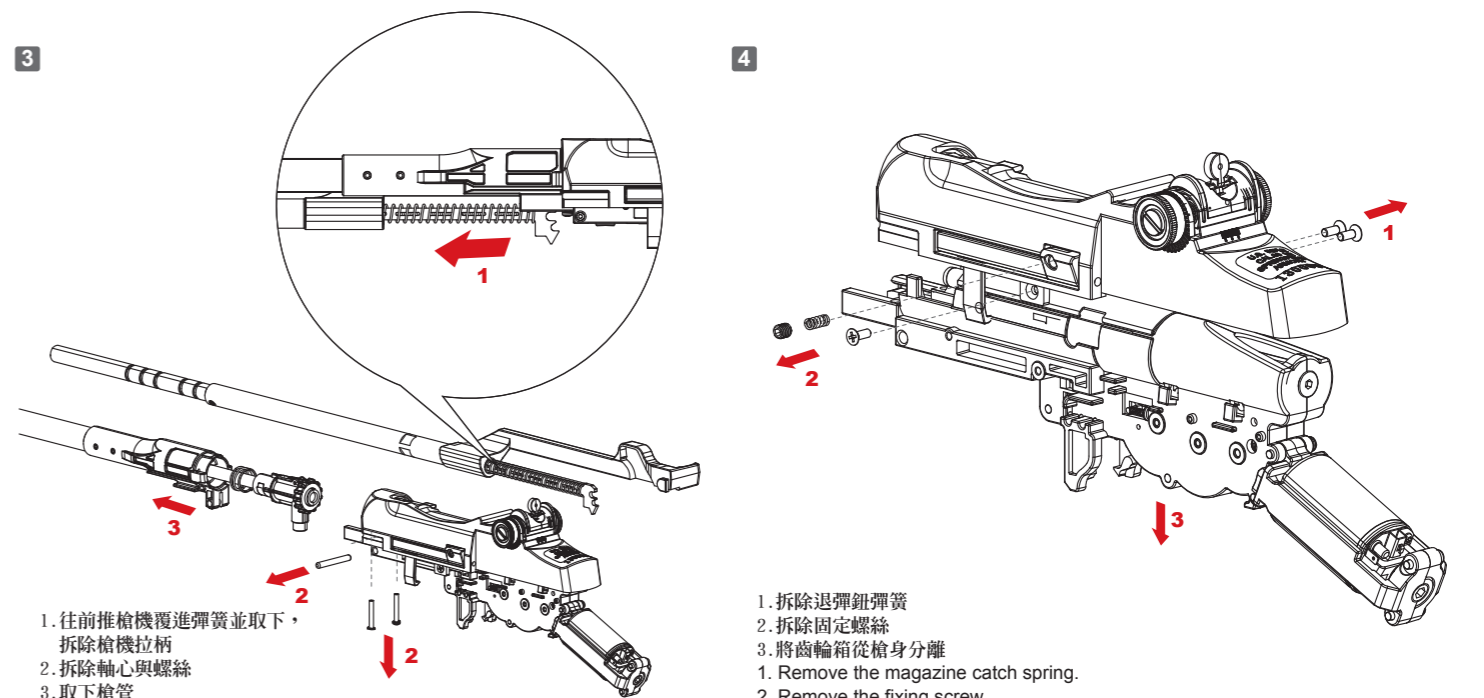
7 齒輪箱拆解 Disassemble Gearbox

注意 CAUTION 先卸彈匣跟電池，再進行拆解。
※ Unload the magazine and battery before you proceed to disassemble.



1. 按壓退彈匣鈕
2. 取下彈匣
3. 向下扳開扳機護弓
4. 取下扳機組
5. 放鬆前準星螺絲，並拆下前準星
1. Press the magazine catch.
2. Remove the magazine.
3. Open the trigger guard by pushing it downward.
4. Remove the trigger set assembly.
5. Loosen the front sight screw to remove the sight.

1. 放鬆內六角螺絲
2. 向前取下前槍管組
3. 向前取下前護木組
4. 向前取下後護木組
5. 向上取出上槍身
1. Loosen the allen screw.
2. Push the front barrel assembly forward to remove.
3. Push the front handguard assembly forward to remove.
4. Push the rear handguard assembly forward to remove.
5. remove the upper receiver from the top.



1. 往前推槍機覆進彈簧並取下，拆除槍機拉柄
2. 拆除軸心與螺絲
3. 取下槍管
1. Push the bolt carrier spring forward to remove, and remove the Operating Rod.
2. Remove the fixing pin and the screw
3. Remove the barrel.

1. 拆除退彈匣彈簧
2. 拆除固定螺絲
3. 將齒輪箱從槍身分離
1. Remove the magazine catch spring.
2. Remove the fixing screw.
3. Separate the gearbox from the receiver.