

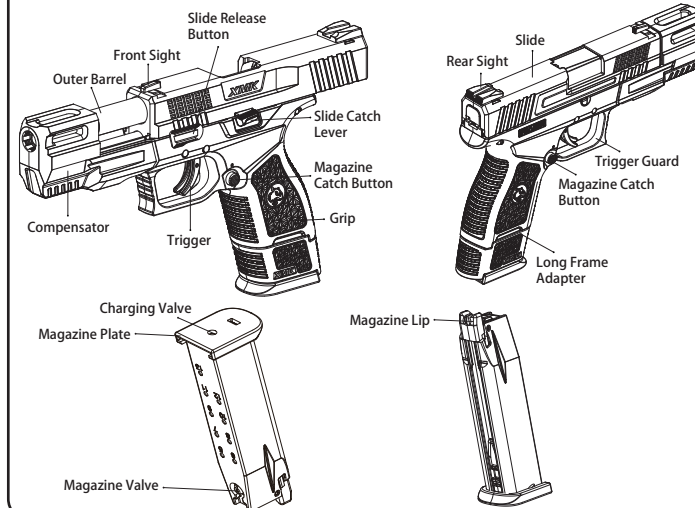
WARNING

- To avoid damaging the product, please release the gas from the magazines or cartridges while not operating.
- Sales and usage are restricted to 18-year-old people or older. Those below 18 years old are not allowed neither to purchase nor to operate alone.
- Never aim or shoot at people or animals. Please beware of childrens' mis-handling.
- Please read and fully understand all details listed in this instruction manual before using this air gun. You can download it from www.icsbb.com if you lose this instruction manual.

6mm BB



1 PART DESCRIPTION



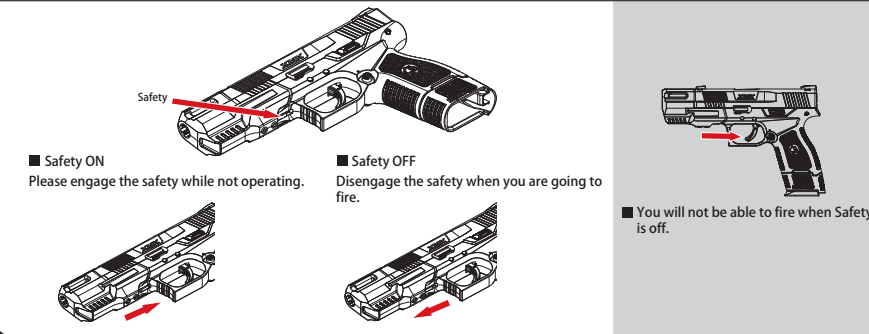
WARNING-ATTENTION



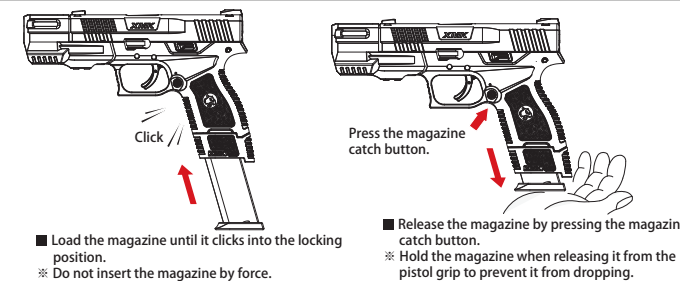
This model is featured with Gas-Blow-Back function. The slide will be pushed backward by the gas pressure strongly and rapidly while firing. To prevent injury, please keep your face and finger away from the slide.

The pistol could be damaged when using at temperature of 35°C (95°F) or above.

2 SAFETY DEVICE



3 LOADING MAGAZINE



WARNING-ATTENTION

To prevent misfiring, keep your finger off the trigger and out of the trigger guard while loading the magazine.
For safety reason, please remove the magazine while not operating.

4 CHARGING GAS

For the optimum product performance, please charge your magazine with 10-12kg airsoft use green gas. If you use green gas with non-recommended number of kg, it may cause damage or malfunction to the product.

WARNING-ATTENTION

- Please avoid to touch the injection hole. It might cause frostbites or low temperature burns if the gas adheres to the skin.
- To preserve the magazine Magazines are very delicate parts, dropping them may cause damage or abnormality.
- Please avoid foreign matter remains on the magazine lip and injection hole on the magazine, which may cause abnormality.
- If refilling is necessary, please avoid to proceed when the magazine is loaded. Please unload the magazine before proceed.
- Please do not place the magazines in wet or watery places, which may cause an abnormality.

Precautions while filling:

- If you fill the magazine with a non-vertical way from up towards down, and caused the magazine is not completely filled, the gas completely, and refill the gas one more time as instructed.
- Fill the gas until the gas starts to leak out. When the gas is fully filled, gas inside the gas canister and magazine are balance without refilling anymore. It is the normal condition that the gas starts to leak out because it is not able to keep filling. Please stop filling immediately.
- Please use your magazine under normal temperature!
- If you operate in environment of 20°C or below, the gas pressure will drop and might cause abnormal functions. (The magazine will work normally again when temperature returns to normal temperature.)
- If operate in environment of 35°C or above, the gas pressure will be too high and might cause abnormal functions. (The magazine will work normally again when temperature returns to normal temperature.)
- If you fill the magazine with gas and fire dozens of shots even under normal temperature, the gas pressure will also drop and cause the gas temperature to drop. Prepare several spare magazines for exchange is recommended.

It is incorrect to refill with the canister nozzle aligned vertically to the magazine base plate.

Please turn the magazine up side down to keep the injection hole side up, fill the gas only when the canister is verticalize to the injection hole.

The gas will not be filled into the magazine or will leak out if the canister is not verticalize to the injection hole.

5 LOADING BBs

Leave no gap between BBs

WARNING-ATTENTION

- Do not release the magazine follower abruptly while pressing the follower. Releasing the follower carelessly may damage the magazine lip.

● Pull the magazine follower down to the end, insert BBs into the BB slot.
* Maximum 17 rounds in short magazine.
* Maximum 23 rounds in long magazine.

● You may insert the last BB through the magazine lip.
* Do not attempt to insert over maximum rounds BBs of the magazine.

6 Loading

1. Insert the magazine.
2. Pull the slide to the end and hold (the hammer will be pressed down).
3. Release the slide (the slide is held at the back at the moment).
4. Press the slide catch downward, the slide will be pushed forward (a BB pellet will be loaded into the barrel).

WARNING-ATTENTION

- Keep your face and fingers away from the slide while the slide is operating.
- When the pistol is unloaded, the slide can be pushed forward when you pull and release it from the end.
- When the pistol is loaded, loading repeatedly will makes the BBs load into the barrel repeatedly, which will lead to malfunction while firing and cause danger.
- When the hammer is pressed down, pulling the trigger will fire the bb. Please take extra notice.

7 SHOOTING

1. Switch the safety to FIRE.
2. Load the pistol according to step 6.
3. Pull the trigger to fire (a BB pellet will be fired and the slide will be pushed backward).

WARNING-ATTENTION

- Power Depression When the temperature inside the magazine is too low, the gas power will be depressed.
The movement of the slide will be delayed.
The slide catch will not bounced.
The shooting range will not be far.

To prevent misfiring, keep your finger off the trigger and out of the trigger guard when you are not ready to fire.

● When the BB is loaded into the barrel, the following process will be proceeded and repeat automatically everytime you pull the trigger:
BB fired → Slide movement (blowed backward) → Load the next BB (slide re-positioned)

● Shooting posture
Please do not operate the pistol up side down for optium performance.

* ATTENTION
● The rails on the slide is very sharp. Please keep your face and fingers away from the slide while the slide is operating.
● Please keep your finger off the trigger and out of the trigger guard, and take extra caution to where the gun is aiming while proceeding non-firing operations.

8 STORAGE

① Press the magazine catch button to release the magazine.
② Make sure the inner barrel is clear. If not, pull the slide backward, and turn the pistol up side down to remove (push the BB pellet out from the barrel by the clearing rod is also recommended).
③ Press the slide catch lever to release the slide.
④ Pull the trigger and fire several times towards safety directions, and make sure no BBs are left inside the barrel.

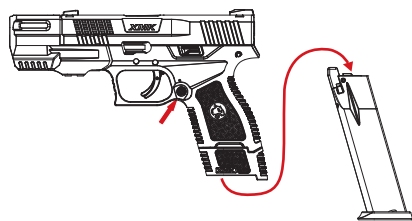
Press the magazine catch button

CA

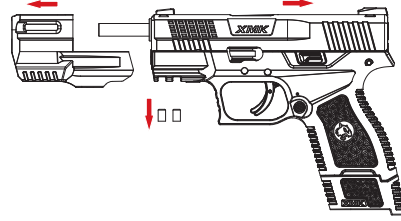
9 DISASSEMBLY (Do it when necessary)

Only disassemble your airsoft replica when adjusting the H-UP and proceeding to maintenance.

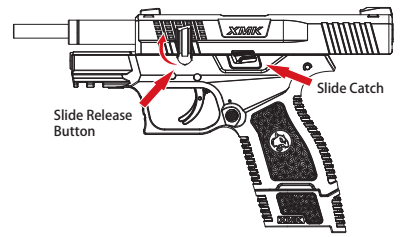
- Press the magazine catch button to unload the magazine and follow step 2 to remove the compensator.



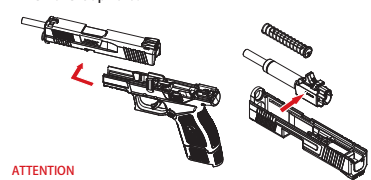
- Screw out the compensator screw.
- Take the compensator out of the rail.
- Pull and hold the slide to the end.



- Push the slide catch lever upward to hold the slide at the rear.
- Press the slide release button downward, hold your slide with your hand then press the slide catch lever.



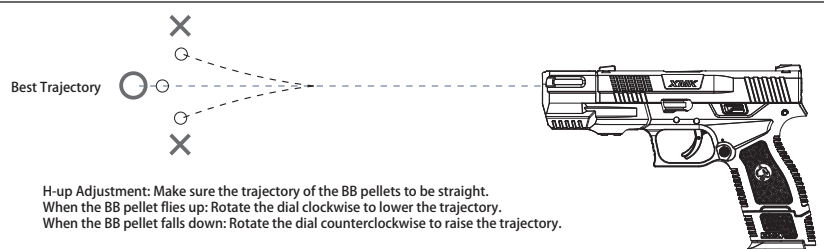
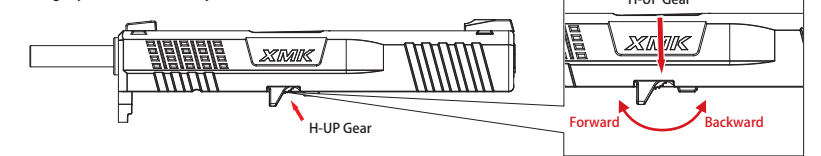
- Push the slide forward to remove.
- Push the recoil spring guide forward to detach from the frame, then remove it upward.
- Slightly push the outer barrel assembly forward, and then remove it upward.



ATTENTION
 △ Please keep your finger off the trigger and out of the trigger guard, and mind where the gun is aiming while proceeding non-firing operations.

10 H-UP ADJUSTMENT

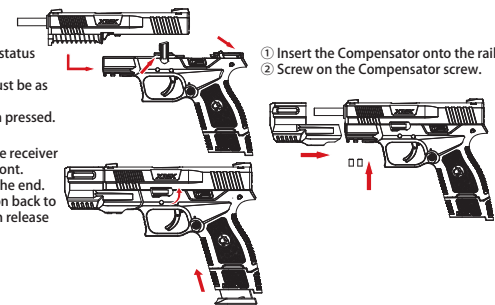
- Please disassemble and remove the slide as step 9 instructed.
- Slightly rotate the dial to adjust the H-UP.



11 ASSEMBLY

- Please check the following status before assembly:
 △ The slide release button must be as same as shown
 △ The hammer must be down pressed.

- Insert the slide back into the receiver through the rail from the front.
- Push and hold the slide to the end.
- Turn the slide release button back to its horizontal position, then release the slide.
- Load an empty magazine.



WARNING · ATTENTION

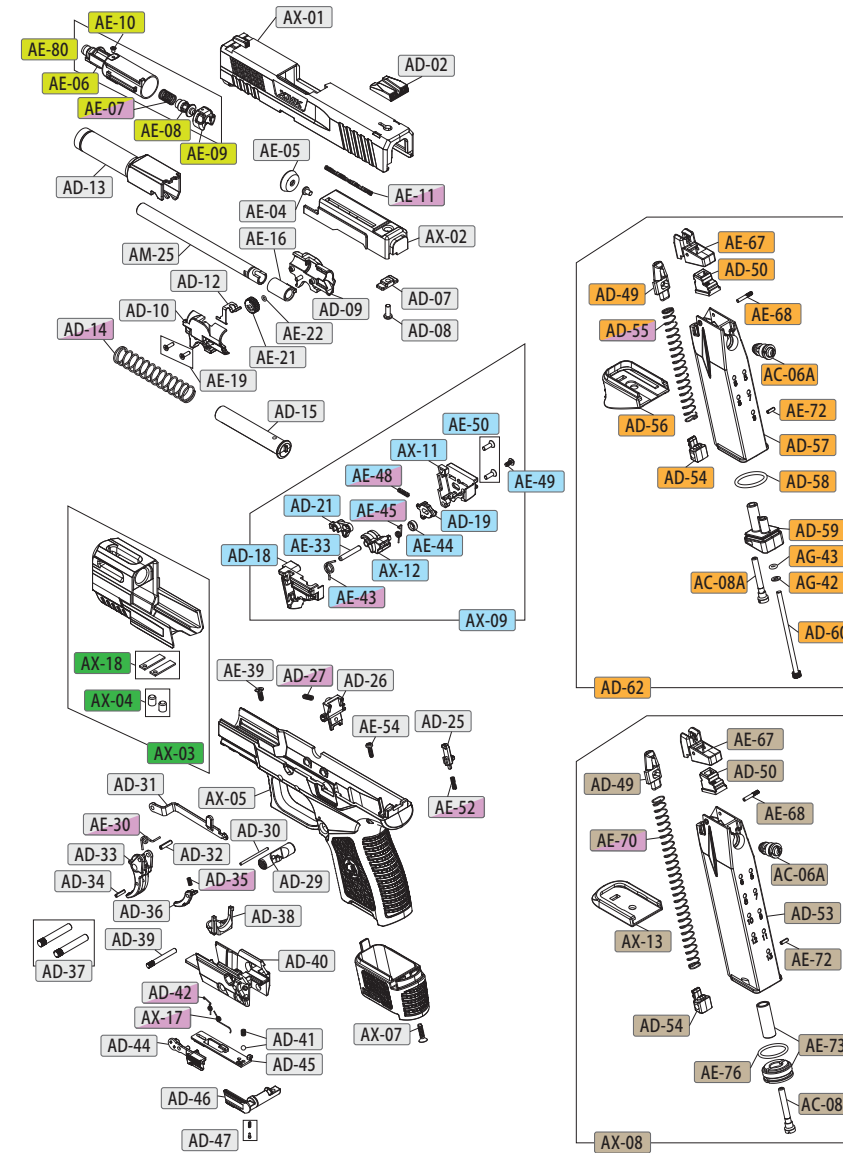
ICS will not be responsible for any part assembling errors, missing parts, and problems such as malfunctions, accidents, injuries, caused by malfunction, and all the maintaining expenses will be beared by the customer themselves.

12 BASIC TROUBLESHOOTING GUIDE

SYMPTOMS	POSSIBLE CAUSES	SOLUTIONS
No Response	The safety is ON. (No firing)	Switch the safety to "OFF" (refer to step 2)
	Magazine overpressured.	Press the valve gently to release gas and to adjust pressure. Be careful when gas discharges from the nozzle seal.
	Insufficient gas inside the magazine.	Charge gas into magazine (refer to step 4)
The slide blows back but no BB is fired.	BB can't be loaded into the barrel.	Load the first BB into the barrel (refer to step 6)
	BB is jammed inside the magazine.	Push out the BB by using the clearing rod, or pull the slide backward, and turn the pistol up side down to remove.
Will not complete cycle	Magazine is too cold.	Use the magazine after it is returned to normal temperature (refer to step 4).
	Temperature is too low.	
	No gas in the magazine.	Charge gas into magazine (refer to step 4)
Slide jammed	Lubricant or silicon oil is not enough.	Apply lubricant to the moving aptrts.
	BBs or foreign matters jammed inside the slide or frame.	Remove the BBs or foreign matters.
Gas comes out from the barrel	Slide release button is not switched back to locking position.	Switch the slide release button to horizontal locking position (refer to step 11)
	Temperature is too low.	Use the magazine after it is returned to normal temperature (refer to step 4).
Magazine is too cold.		
BBs fly up	H-UP is over adjusted.	Adjust the H-UP gear forward.
Shooting range is too short	H-UP isn't adjusted enough.	Adjust the H-UP gear backward.
	Foreign matters or oil in the inner barrel.	Clean the inner barrel and H-UP bucking.
BBs roll out of barrel	H-UP isn't adjusted enough.	Adjust the H-UP gear forward.
	H-UP is over adjusted.	Adjust the H-UP gear backward.
Jammed	Bad BBs, oversize BBs	0.2g to 0.25g 6mm caliber BBs are recommended for optimum performance.
	Foreign matters or oil in the inner barrel.	Clean the inner barrel.

13 PARTS DIAGRAM

*The components/accessories for each model may have kind of differences depending on the actual goods. Images are only for reference.



14 PARTS DESCRIPTION

ITEM#	DESCRIPTION	Q'TY	ITEM#	DESCRIPTION	Q'TY
AC-06A	REVO Energy Valve	1	AE-09	XAE Cylinder Cover	1
AC-08A	REVO Energy Nozzle	1	AE-10	Cylinder Screw	1
AD-02	XPD Rear Sight-BK	1	AE-11	XAE Cylinder Housing Spring	1
AD-07	XPD loaded Chamber Indicator Mount	1	AE-16	XAE H-UP Bucking	1
AD-08	Cylinder Housing Screw	1	AE-19	XAE H-UP Chamber Screw	2
AD-09	XPD H-UP Chamber-Right	1	AE-21	H-UP Dial	1
AD-10	XPD H-UP Chamber-Left	1	AE-22	O-ring	1
AD-12	XPD H-UP Plate	1	AE-30	XAE Trigger Bar Spring	1
AD-13	XPD Outer Barrel	1	AE-33	Slide Catch Lever Plate Pin	1
AD-14	XPD Recoil Spring	1	AE-39	Slide Positioning Block Screw	1
AD-15	XPD Recoil Spring Guide	1	AE-43	XAE Hammer Spring	1
AD-16	XPD Hammer Insurance Lever	1	AE-44	XAE Hammer Guide Wheel	1
AD-18	XPD Hammer Housing-Left	1	AE-45	XAE Hammer Bar Spring	1
AD-19	XPD Hammer Disconnecter	1	AE-48	XAE Hammer Disconnecter Spring	1
AD-21	XPD Hammer Bar	1	AE-49	Round Head Hammer Housing Screw	1
AD-25	XPD Hammer Disconnect Pin	1	AE-50	Flat Head Hammer Housing Screw	2
AD-26	XPD Magazine Catch	1	AE-52	XAE Hammer Disconnect Pin Spring	1
AD-27	XPD Magazine Catch Spring	1	AE-54	Hammer Housing Screw	1
AD-29	XPD Magazine Release Button	1	AE-67	Magazine Lip	1
AD-30	Magazine Catch Pin	1	AE-68	Magazine Lip Pin	1
AD-31	XPD Trigger Bar	1	AE-70	Magazine Follower Spring	1
AD-32	Trigger Bar Spring Pin	1	AE-72	Magazine Base Plate Stop Pin	1
AD-33	XPD Trigger	1	AE-73	XAE Magazine Gas Tube and Base	1
AD-34	Trigger Safety Pin	1	AE-76	O-ring	1
AD-35	XPD Trigger Spring	1	AE-80	XAE Cylinder Combination	1
AD-36	XPD Trigger Safety	1	AG-42	Washer	1
AD-37	XPD Frame Housing Pin	2	AG-43	Screw O-Ring	1
AD-38	XPD Slide Positioning Block	1	AM-25	BM9 Inner Barrel (113mm)	1
AD-39	XPD Hammer Housing Pin-Rear	1	AX-01	XMK Slide with Front Sight	1
AD-40	XPD Trigger Housing	1	AX-02	XMK Cylinder Housing	1
AD-41	Bearing Ball and Spring	1	AX-03	XMK Compensator and Screw	1
AD-42	Slide Disassemble Lever Spring	1	AX-04	Compensator Screw	2
AD-44	XPD Slide Catch Lever Plate	1	AX-05	XMK Frame-BK	1
AD-45	XPD Safety Plate	1	AX-07	Long Frame Adapter Screw	1
AD-46	XPD Slide Disassemble Lever	1	AX-08	XMK Extended Magazine-BK	1
AD-47	XPD Slide Disassemble Lever Button and Spring	1	AX-09	XMK Hammer Combination	1
AD-49	XPD Magazine Follower	1	AX-10	XMK Spring Parts	1
AD-50	XPD Magazine Nozzle Seal	1	AX-11	XMK Hammer Housing-Right	1
AD-53	XPD Extended Magazine Case	1	AX-12	XMK Hammer	1
AD-54	XPD Magazine Base Plate Stop	1	AX-13	XMK Long Magazine Plate	1
AD-55	XPD Short Magazine Follower Spring	1	AX-17	XMK Slide Locking Plate Spring	1
AD-56	XPD Short Magazine Base Plate-BK	1	AX-18	Steel Plate	2
AD-57	XPD Short Magazine Case	1			
AD-58	XPD Magazine Base O-Ring	1			
AD-59	XPD Magazine Base	1			
AD-60	XPD Magazine Base Screw	1			
AD-62	XPD Short Magazine	1			
AE-04	M1 Screw	1			
AE-05	XAE Valve Plate	1			
AE-06	XAE Cylinder	1			
AE-07	XAE Valve Spring	1			
AE-08	XAE Valve	1			