

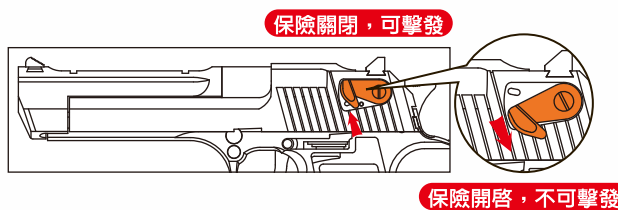


低動能遊戲用槍AAKACZ51系列

AAKACZ51 系列零件表

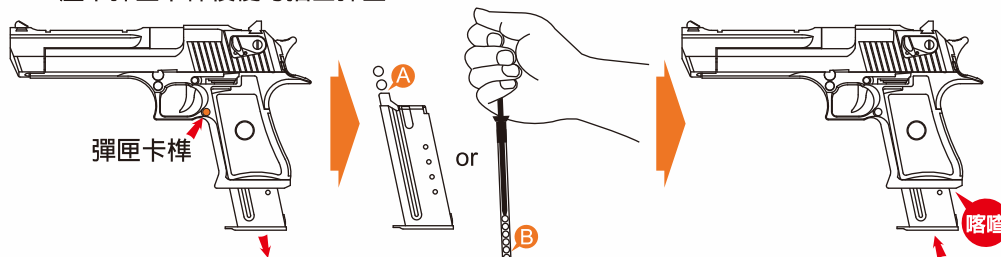
1.安全裝置：保險作用為防止誤扣扳機時而不至於擊發

- ★請參考右邊圖片，為本型號保險開關使用方法。
- ★請務必聽到切換時保險開關的聲音，以確定保險是處於安全而正確的位置。



2.裝彈方法：請使用 **KWC** 指定的BB彈

- ★壓下彈匣卡榫後便可抽出彈匣

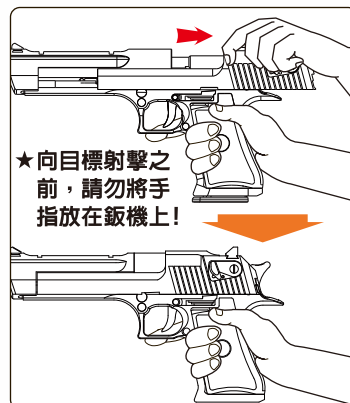
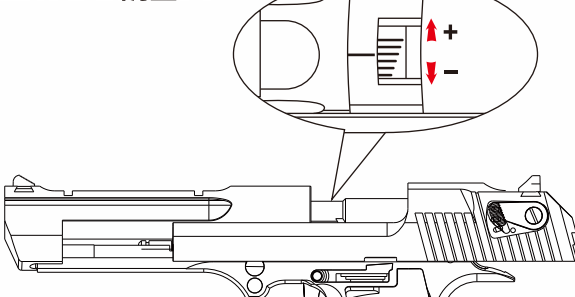


注意

- A.本公司為了提高此空氣槍的命中率起見，槍身採用非常精密的槍管。
- B.請勿使用非本公司指定及品質粗糙的BB彈射擊。因為這些都是造成卡彈及其他種類故障的原因，請注意若強行使用而導致故障發生時，本公司將不負責一切的修理。

- A.裝彈方式共分2種：A.將BB彈一顆一顆放入；B.把BB彈放進裝彈器，再用通槍條往下壓入彈匣裡。
- B.每次裝彈可射擊數量為26發。
- ★最後將彈匣插入，直到聽到“喀嗒”聲響後才停止。

3.HOP-UP調整



注意

- A.保管時請將彈匣抽出， B.彈匣移除後，並將保險 C.請勿將槍在待擊發狀態並指向安全的方向射擊，務必確定槍中已無BB彈殘留才行。
- 推到“不射擊時”狀態，保管在小孩子無法拿得到安全場所。
- 下做長時間的放置或保管。(此將是發射彈簧性能低下的原因)

WARNING 請務必嚴格遵守 使用操作說明書

此低動能遊戲用槍是針對喜愛射擊運動的消費者所開發。避免因使用方法不正確或改造所發生的故障或事故，請務必詳讀說明書，正確的操作享受愉快的射擊運動。

- 除了發射時外，不要將手指頭掛在板機上。
- 選擇安全與適當標靶
- 在非使用期間，請保持保險關閉且退彈的狀態，就算在非使用狀態，也要如同其已裝彈。
- 如任何的機械產品，槍的保險也可能失效。即使在保險關閉的狀態下也請小心的操作此槍，請勿將槍口對人。
- 千萬不要對堅硬或平坦表面、水面射擊，以避免跳彈。
- 請妥善保管產品在未成年孩童無法伸手取得的場所。
- 每次使用前後都應該檢查擋彈物，假如擋彈物表面有磨損失效或是反彈時請停止使用。
- 請使用高品質BB彈，請勿使用①口徑大於6mm②表面不平滑的③重複使用過的BB彈④非本說明書指名的發射物。
- 檢查任何掉落之槍枝，以確保未影響其功能。

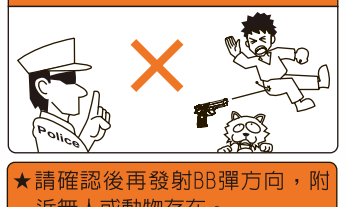
★使用玩具槍前，請務必戴上保護眼鏡或面罩。



★使用玩具槍前，請務必詳讀說明書內容。



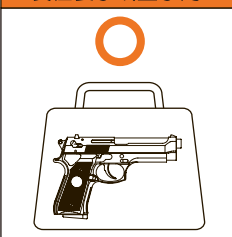
★請不要在公開場合使用玩具槍，也請不要拿玩具槍對準人或動物。



★請確認後再發射BB彈方向，附近無人或動物存在。



★不可攜帶玩具槍在公共場所行走，請務必裝在袋子或盒子內。



★請不要由槍口向內探視。



★不可任意改造或加工玩具槍，私自改造加工會造成產品損壞、保固失效，導致使用上不安全，甚至觸法送辦。



圖號	零件名稱	圖號	零件名稱	圖號	零件名稱
P01	本體	Z05	扳機	B06	擊鐵軸套
P02	上蓋	Z06	扳機連桿	B09	槍管
P03	外槍管	Z07	擊鐵箱(左)	B12	彈簧支座
P04	槍柄	Z08	擊鐵箱(右)		
P05	槍管接筒前部	Z09	導管定位件	F01	回位導桿
P06	彈匣(左)	Z10	槍管導管	F02	彈匣外殼
P07	彈匣(右)	Z11	保險連桿	F03	上蓋定位件
P08	氣缸	Z12	上蓋止動片	F04	止動片軸
P09	氣缸後罩	Z13	彈匣卡榫(左)	F05	彈匣底片
P11	外槍管後配件	Z14	彈匣卡榫(右)	F06	彈匣本體軸
P13	彈匣壓簧定位件	Z19	回位壓簧導件	F09N	保險軸
P15	彈匣滑粒	Z20	上蓋前部配件	F10	彈匣配重A
P16	後準星	Z27	槍管導管卡榫	F11	彈匣配重B
P17	槍管接筒	Z28	導管卡榫按鈕	F12	扳機連桿彈片
P18	HOP-UP 調整圈	Z29	止動片推桿		
P24	裝彈器	Z31	保險連桿配件	E01	E型扣環
P25	保險(左)			E02	⊕皿 3.0X8五彩螺絲
P26	保險(右)			E03	鋼珠
P31	裝彈槽套B	S02	彈匣壓簧	E04	⊕ 3.0X6束鉸螺絲
P32	通條套頭	S03	彈匣卡榫壓簧	E05	皿⊕ 2.3X6黑螺絲
P33	B.B彈通條	S04	扳機扭簧	E06	軸(擊鐵)
P34	B.B彈透明管	S05	保險壓簧	E10	軸(本體)
		S06	上蓋回位壓簧	E14	E型扣環
		S07	上蓋止動片扭簧	E15	⊕ 2.3X8束鉸熱螺絲
R01	活塞迫緊	S08	導管卡榫按鈕壓簧	E16	⊕ 2.3X12束鉸螺絲
R07	子彈迫緊	S18	活塞卡榫扭簧	E17	⊕ 3.0X8尖鉸螺絲
R14	O形環S-4	S19	擊鐵卡榫扭簧		
		S20	擊鐵扭簧		
		S22	活塞壓簧	U1	內槍管組件
Z01	活塞			U2	擊鐵箱組件
Z02	活塞卡榫				
Z03	擊鐵	B01	保險螺絲		
Z04	擊鐵卡榫	B02	扳機軸套		

AAKACZ51 系列說明書

AAKACZ51 INSTRUCTION MANUAL

KWC KIWEN WELL TOY INDUSTRIAL CO., LTD
www.kwcgun.com

台南市仁德區義林路168巷89號
NO.89, LN. 168, YILIN RD.,
RENDE DIST., TAINAN CITY
71752, TAIWAN (R.O.C.)
TEL : +886-6-2798175
FAX : +886-6-2798176
sales@kwcgun.com
www.kwcgun.com



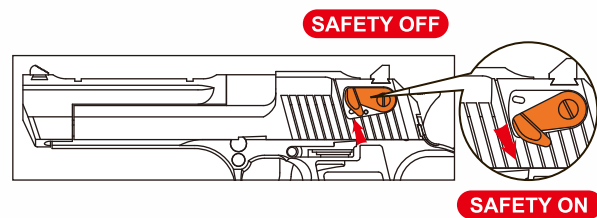
FOR PRIMARY SPRING AIRGUN SERIES

AAKACZ51 SERIES PARTS LIST

AAKACZ51 系列零件分解圖 AAKACZ51 SERIES EXPLORED VIEW

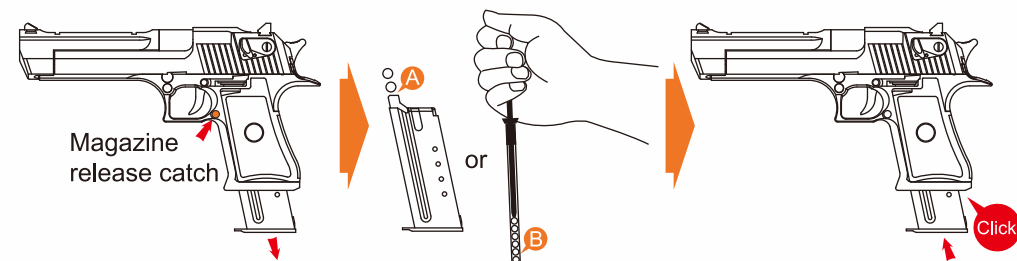
1. OPERATING THE TRIGGER SAFETY DEVICE:

- ★ Please refer to right side photo for safety switch operation.
- ★ Make sure to hear the click when switching safety on and off to ensure the safety is at proper position.



2. LOADING BB: Please use **KWC** granted 6mm BB with this airsoft.

- ★ Press magazine release catch to remove magazine.

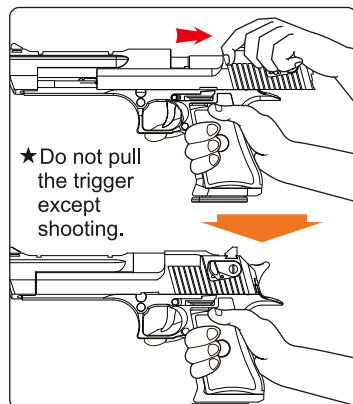


CAUTION

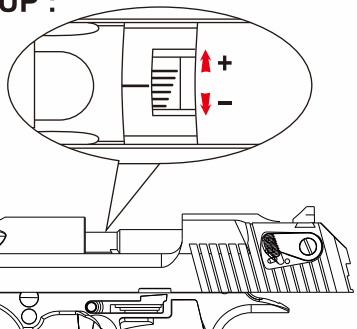
- A. As our design effort to produce the most accurate airsoft, we utilize precision aluminum or copper inner barrel.
- B. Only use high quality KWC bbs to ensure safe and trouble free operation. The manufacture and its distribution will not be held liable for any incidental or consequential damages or injuries caused by users using incorrect / improper bbs.

- A. Two ways for BB loading. A. Load BB one by one; B. Load BB by loader and use the bar to push BB into magazine.
- B. 26 BB speedload magazine.

- ★ Firmly re-insert the loaded magazine back into the grip. You will hear a "Click" indicating the magazine is securely locked in place.



3. ADJUST HOP-UP :



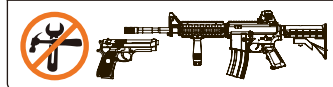
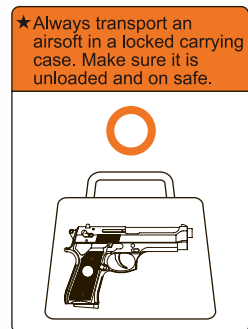
CAUTION when you have finished shooting

- Remove the magazine. Cock and shoot the airsoft again at a safe direction 2 to 3 times to ensure no BB is left in barrel.
- Store the airsoft with magazine removed and safety on. Keep it out of reach of children.
- Keeping the gun cocked for a long period of time will weaken the piston spring which could cause malfunction.
- Please avoid dry firing, for it could cause parts deformed or damage.

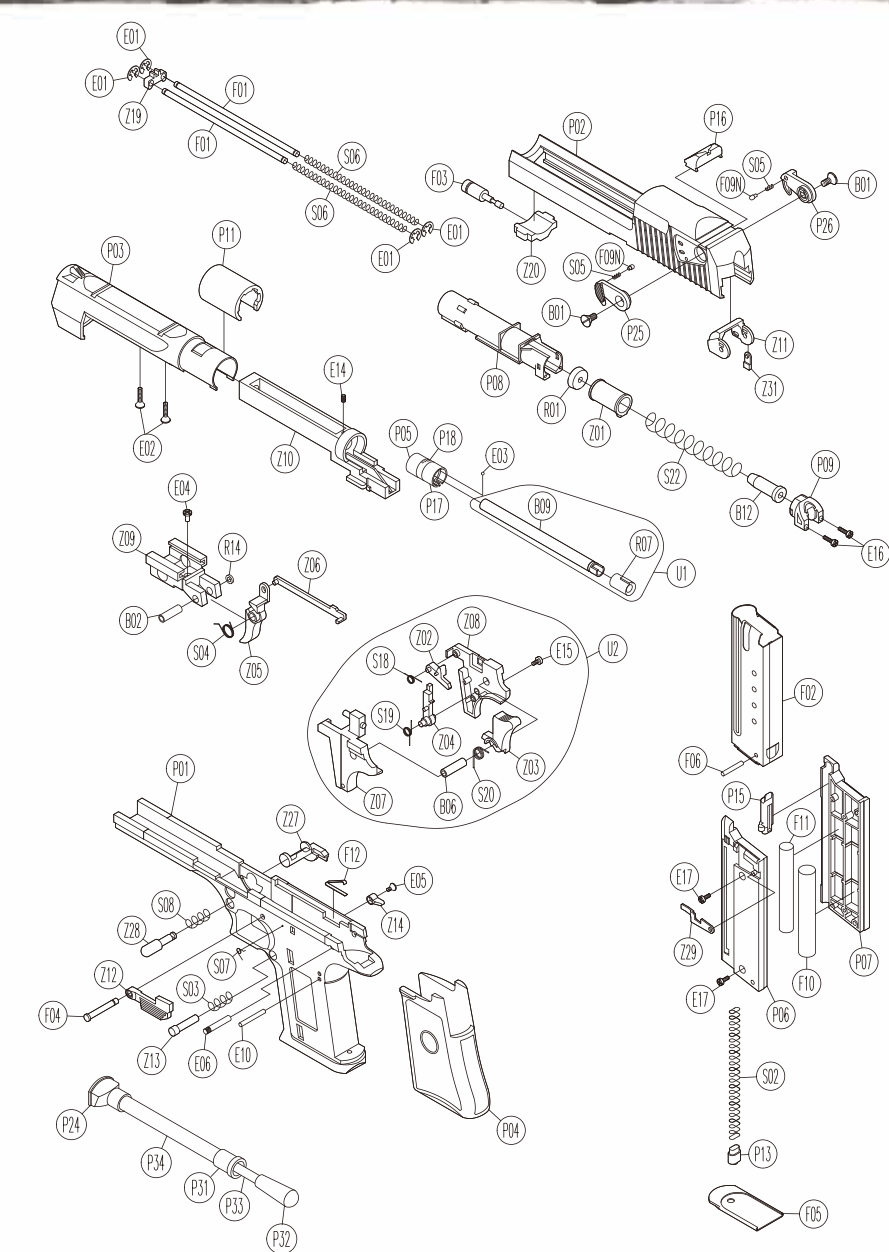
WARNING For your safety, please read this manual carefully before use.

This airsoft is intended for recreational or training purposes. To prevent improper handling, modification or alteration causing malfunction or accident, please read the owner's manual carefully. Enjoy the pleasant shooting experience by proper operation.

- Do not put your finger on the trigger except shooting.
- Please choose safe and proper target.
- Please always keep the airsoft on safe and unloaded when not using.
- Like all mechanical devices, an airsoft safety can fail. Always handle the airsoft safely even when the safety is "on safe". Never point the airsoft at any people.
- Avoid ricochet. Never shoot at a hard or flat surface or at water.
- Keep the airsoft out of reach for small children.
- Your backstop should be inspected for wear before and after each use. Discontinue use of the backstop if surface shows signs of failure or ricochet.
- Only use high quality BB. Never use ①BB diameter larger than 6mm ②BB with unsmoothed surface ③ reused BB that has been fired ④incorrect projectiles not design for this airsoft.
- Check any gun that has been dropped to ensure that its function has not been affected.



NO.	UNIT	NO.	UNIT	NO.	UNIT
P01	SLIDE	Z05	TRIGGER	B06	HAMMER SLEEVE
P02	SLIDE	Z06	TRIGGER BAR	B09	BARREL
P03	OUTER BARREL	Z07	CHASSIS(L)	B12	SPRING STOCK
P04	GRIP	Z08	CHASSIS(R)		
P05	FRONT BARREL CONNECTOR	Z09	BARREL LOCATOR	F01	RECOIL BAR
P06	MAGAZINE(L)	Z10	OUTER BARREL	F02	MAGAZINE FRAME
P07	MAGAZINE(R)	Z11	SAFETY LINK	F03	SLIDE LOCATOR
P08	CYLINDER	Z12	SLIDE STOPPER	F04	SLIDE STOPPER PIN
P09	CYLINDER BACK COVER	Z13	MAGAZINE CATCH(L)	F05	MAGAZINE BOTTOM PLATE
P11	REAR OUTER BARREL ACCESSORY	Z14	MAGAZINE CATCH(R)	F06	MAGAZINE FRAME PIN
P13	MAGAZINE SPRING FIXTURE	Z19	RECOIL SPRING PLATE	F09N	SAFETY PIN
P15	MAGAZINE FOLLOWER	Z20	FRONT SLIDE ACCESSORY	F10	MAGAZINE WEIGHT A
P16	REAR SIGHT	Z27	BARREL CATCH	F11	MAGAZINE WEIGHT B
P17	BARREL CONNECTOR	Z28	BARREL CATCH BUTTON	F12	TRIGGER BAR SPRING
P18	HOP UP ADJUST RING	Z29	SLIDE STOPPER LEVER		
P24	SPEEDLOADER	Z31	SAFETY LINK ACCESSORY	E01	E-RING
P25	SAFETY(L)			E02	SCREW 3.0X8
P26	SAFETY(R)	S02	MAGAZINE SPRING	E03	BEARING
P31	BB LOADER GROOVE	S03	MAGAZINE CATCH SPRING	E04	SCREW 3.0X6
P32	HEAD-PRESS ROD	S04	TRIGGER SPRING	E05	SCREW 2.3X6
P33	BB JAM CLEANING ROD	S05	SAFETY SPRING	E06	PIN (HAMMER)
P34	BB LOADER TUBE-CLEAR	S06	RECOIL SPRING	E10	PIN (FRAME)
		S07	SLIDE STOPPER SPRING	E14	E-RING
R01	PISTON CHAMBER	S08	BARREL CATCH BUTTON SPRING	E15	SCREW 2.3X8
R07	RUBBER CHAMBER	S18	PISTON CATCH SPRING	E16	SCREW 2.3X12
R14	O-RING S-4	S19	HAMMER CATCH SPRING	E17	SCREW 3.0X8
		S20	HAMMER SPRING		
Z01	PISTON	S22	PISTON SPRING	U1	INNER BARREL UNIT
Z02	PISTON CATCH			U2	HAMMER CASE UNIT
Z03	HAMMER	B01	SAFETY SCREW		
Z04	HAMMER CATCH	B02	TRIGGER SLEEVE		



※零件有時為了改良而不經預告變更。
Spare parts may be modified for quality improvement
And such modification may be without advance notice.