

1911 TACTICAL



AAKCMB77 系列說明書 AAKCMB77 INSTRUCTION MANUAL

KWC KWIEN WELL TOY INDUSTRIAL CO., LTD
www.kwcgun.com

台南市仁德區義林路168巷89號
NO.89, LN. 168, YILIN RD.,
RENDE DIST., TAINAN CITY
71752, TAIWAN (R.O.C.)
TEL : +886-6-2798175
FAX : +886-6-2798176
sales@kwcgun.com
www.kwcgun.com

- BLOW BACK**
4.5mm AIR GUN
- ENERGY**
1.6 JOUTH
MAX 97 m/s VELOCITY
- BBs CAPACITY**
17 rds.
0.177 Caliber(4.5 mm)
- MATERIAL**
925g FULL METAL
- LENGTH**
220mm
- MAGAZINE**
AAK CMB77
- FIXED HOP UP SYSTEM**

MADE IN TAIWAN

操作/OPERATION

操作說明

OPERATION

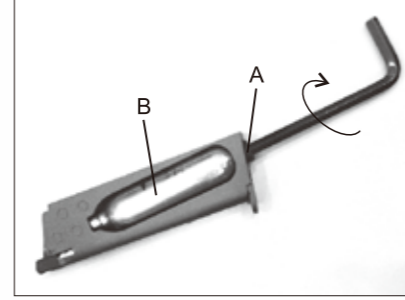
1. 取出彈匣。
RELEASE MAGAZINE.



▲注意：請勿使彈匣直接掉落地面，以防止變形或損壞。
▲CAUTION: Magazine falling directly on the ground could cause deform or damage on it. Please be aware.

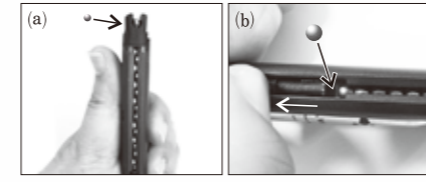
2. CO2小鋼瓶12g的使用：
INSTALLING 12G CO2 CARTRIDGE:

逆時針轉出彈匣底內件後，置入小鋼瓶B，再以順時針方向鎖緊彈匣底內件A。當刺破鋼瓶出氣時，請快速鎖緊。
Turn the magazine cap out counter-clockwise and place CO2 cartridge B inside the magazine. Rapidly turn the screw A clockwise when piercing the cartridge in the magazine.



▲注意：為維護彈匣使用壽命，請盡可能不要殘留CO2氣體於彈匣內。
▲CAUTION: To protect your magazine, please release all of the CO2 out of the magazine after every use.

3. 填裝BB彈
LOADING BB BULLET
裝填方式為2種：
There are 2 way to load the BB
a. 由彈匣上方前面洞口填入BB彈。
Load the BB from Magazine Rib
b. 由彈匣下方拉彈簧洞口填入BB彈。
Load the BB from another loading hole after pulling the magazine spring down.



4. 彈匣上膛
INSERTING THE MAGAZINE
將裝好BB彈的彈匣插入槍身上推入，直到彈匣卡榫發出"卡嗒"為止。
Insert fully loaded magazine in the airgun until you hear the sound of "CLICK".

5. B. B彈上膛
CHAMBERING THE BB
將上蓋往後拉到底，放開上蓋則上蓋會自動回位，同時亦將B. B彈送上膛完成射擊準備。
Pulling the slide back. When the slide has been pulled completely back, release the slide without pushing and the BBs will be chambered.



▲注意：拉動上蓋時，請勿將手指扣住扳機，以免發生不當射擊，造成危險。
▲CAUTION: The gun is now cocked and will fire when the trigger is pulled. Be careful not to fire accidentally.

6. 保險切換
SWITCH SAFETY



▲注意：必須在上膛狀態下保險才可關閉
▲CAUTION: Safety can only be turned on when this airgun is cocked.



▲注意：上蓋滑動時，注意縫隙夾到手指
▲CAUTION: This airgun has a realistic blowback feature. Be careful of the pinch point.

7. 射擊
SHOOTING
對準目標區後扣下扳機，則B. B彈將被射擊出去。
Aim the target and pull the trigger to shoot.

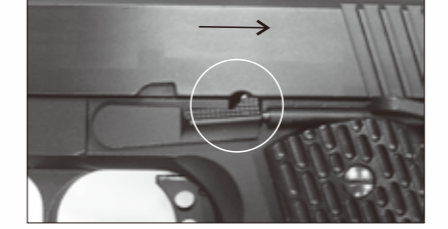


▲注意：B. B彈用完時，上蓋會後定卡住。
▲CAUTION: hold open function as real pistol.

拆解/DIS-ASSEMBLY

1. 按下卡榫，取出彈匣
Press the magazine catcher to release the magazine

2. 退上蓋至導管卡榫
Pull the Slide Stop until the slide stop lock the slide



3. 壓下槍身右面卡榫
Press the pin on the right side of frame.



4. 導管卡榫左面往上推，上蓋即可取出
Pull the Slide Stop from left side of pistol to take off the Slide.



故障的原因與排除 BREAK DOWN FAQ

* 卡彈可能原因：
the reason for BB jam :
a. 裝彈排列不整齊
the BB in the magazine does not arrange very well.
b. 不良B. B彈
bad quality BB
c. 空擊發易造成零件損耗，請避免此動作。
Please avoid dry firing, for it could cause parts deformed or damage.



* 排除：將上蓋往後拉，向下倒出即可。
Solution: pull the slide back and pour the BB out from slide.



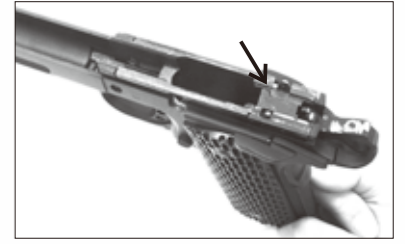
* 射擊過程中偶而會發生，在作動時上蓋突然停止無法作動，而擊鐵回到原位，彈匣中仍有足夠瓦斯和BB彈。
During the shooting process, sometimes the Slide and the Hammer stop unexpectedly.



* 排除：此時並非故障，只需重新上膛便可繼續使用。
Solution: This is not a failure. Just reload and operate again.

保養及維護 MAINTENANCE GUIDE

當射擊約2,000發時，建議你如圖所示，以矽油脂適量在上蓋與本體滑動接觸面及擊鐵、撞針作動處潤滑，以利滑動。
After every 2,000 BB shots, lubricating the Firing pin and Track as pictures below is recommended.



WARNING 警告

請務必嚴格遵守 使用說明指導書

For your safety, please read this manual carefully before use.

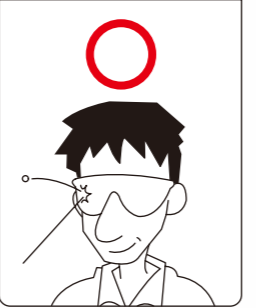
此低動能遊戲用槍是針對喜愛射擊運動的消費者所開發。避免因使用方法不正確或改造所發生的故障或事故，請務必詳讀說明書，正確的操作享受愉快的射擊運動。

- 除了發射時外，不要將手指頭掛在板機上。
- 選擇安全與適當標靶
- 在非使用期間，請保持保險關閉且退彈的狀態，就算在非使用狀態，也要如同其已裝彈。
- 如任何的機械產品，槍的保險也可能失效。即使在保險關閉的狀態下也請小心的操作此槍，請勿將槍口對人。
- 千萬不要對堅硬或平坦表面、水面射擊，以避免跳彈。
- 請妥善保管產品在未成年孩童無法伸手取得的場所。
- 每次使用前後都應該檢查擋彈物，假如擋彈物表面有磨損失效或是反彈時請停止使用。
- 請使用高品質BB彈，請勿使用①口徑大於4.4mm②表面不平滑的③重複使用過的BB彈④非本說明書指名的發射物。
- 最高的使用及儲藏CO2小鋼瓶環境為50°C (122°F) 以內，高溫可能會造成CO2小鋼瓶過熱甚至爆炸。
- 檢查任何掉落之槍枝，以確保未影響其功能。

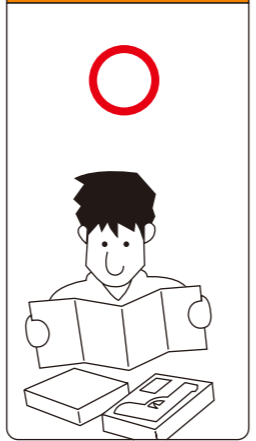
This airgun is intended for recreational or training purposes. To prevent improper handling, modification or alteration causing malfunction or accident, please read the owner's manual carefully. Enjoy the pleasant shooting experience by proper operation.

- Do not put your finger on the trigger except shooting.
- Please choose safe and proper target.
- Please always keep the airgun on safe and unloaded when not using.
- Like all mechanical devices, an airgun safety can fail. Always handle the airgun safely even when the safety is "on safe". Never point the airgun at any people.
- Avoid ricochet. Never shoot at a hard or flat surface or at water.
- Keep the airgun out of reach for small children.
- Your backstop should be inspected for wear before and after each use. Discontinue use of the backstop if surface shows signs of failure or ricochet.
- Only use high quality 4.5mm steel BBs. Never use ①BB diameter larger than 4.4mm ②BB with unsmoothed surface ③reused BB that has been fired ④incorrect projectiles not design for this airgun
- Do not expose CO2 cartridges to heat or store them at temperatures above 50°C (122°F). CO2 cartridges may over heat or explode at temperatures above 50°C (122°F).
- Check any gun that has been dropped to ensure that its function has not been affected.

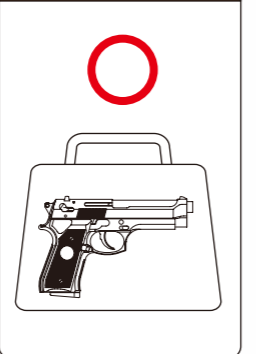
★使用低動能遊戲用槍前，請務必戴上保護眼鏡或面罩。
★Always wear eye protection when using airgun.



★使用低動能遊戲用槍前，請務必詳讀說明書內容。
★Read the owner's manual before using the airgun.



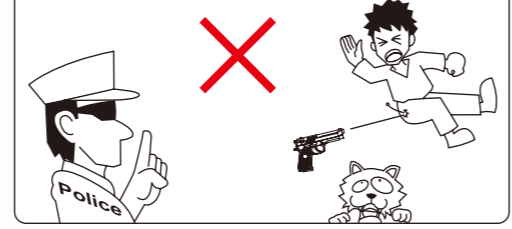
★不可攜帶低動能遊戲用槍在公共場所行走，請務必裝在袋子或盒子內。
★Always transport an airgun in a locked carrying case. Make sure it is unloaded and on safe.



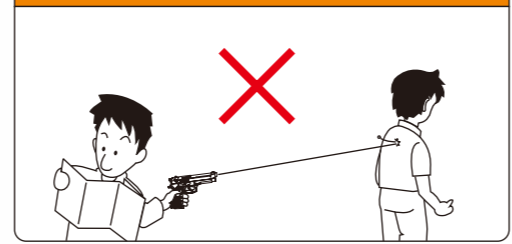
★請不要由槍口向內探視。
★To Avoid accidental discharge, do not look directly into the barrel.



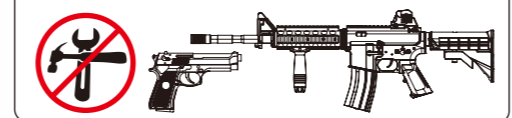
★請不要在公開場合使用低動能遊戲用槍，也請不要拿低動能遊戲用槍對準人或動物。
★Never brandish or aiming this airgun at any people or domestic animals. Brandish this airgun in public is dangerous and may be a crime.



★請確認後再發射BB彈方向，附近無人或動物存在。
★Always be aware of your surrounding before and during shooting and select a safe area for target practice.



★不可任意改造或加工低動能遊戲用槍，私自改造加工會造成產品損壞、保固失效，導致使用上不安全，甚至觸法送辦。
★Disassemble, modify, or alter of your airgun may cause malfunction, void your warranty and may make it unsafe to use.

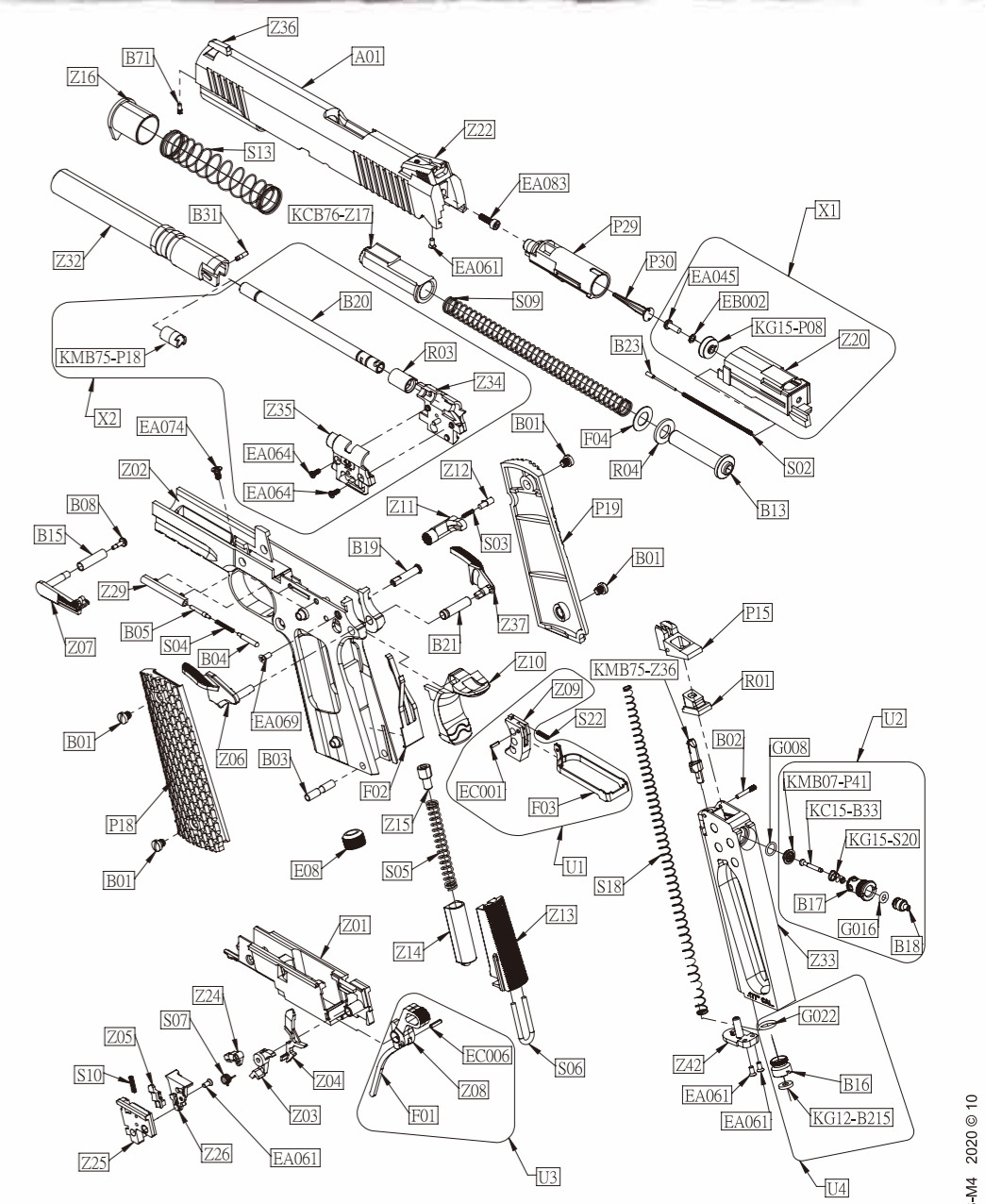


Do not display this pistol in public—it may confuse people and may be a crime. 請不要忘了，雖然自己知道這只是玩具，但不知道的人，會以為這是真槍。

AAKCMB77 系列零件表 AAKCMB77 SERIES PARTS LIST

NO.	零件名稱	UNIT	NO.	零件名稱	UNIT	NO.	零件名稱	UNIT
KG15-P08	氣缸迫緊	CYLINDER PACKING	Z33	彈匣本體	MAGAZINE FRAME	B23	射嘴壓簧導軸	LOADING NOZZLE SPRING GUIDE PIN
P15	彈匣上部	MAGAZINE RIB	Z34	槍管右蓋	INNER BARREL CASE (R)	KC15-B33	心棒	VALVE
P18	槍柄(左)	GRIP (L)	Z35	槍管左蓋	INNER BARREL CASE (L)	B71	前準星軸	FRONT SIGHT PIN
P19	槍柄(右)	GRIP (R)	Z36	前準星	FRONT SIGHT	KG12-B215	氣瓶頂針迫緊	PUNCTURE VAVLE PACKING
KMB75-P18	槍管固定件	BARREL HOLD	KMB75-Z36	彈匣滑粒	MAGAZINE FOLLOWER	S02	射嘴回位壓簧	LOADING NOZZLE RECOIL SPRING
P29	滑套射嘴	LOADING NOZZLE	Z37	保險(右)	SAFETY(R)	S03	彈匣卡榫壓簧	MAGAZINE CATCH SPRING
P30	氣流控制件(無肋)	FLOATING VALVE	Z42	彈匣底座配件	MAGAZINE BASE ACCESSORY	S04	止動片軸壓簧	SLIDE STOPPER PIN SPRING
KMB07-P41	心棒迫緊	VALVE PACKING				S05	擊鐵壓簧	HAMMER SPRING
			R01	氣嘴迫緊	GAS ROUTE PACKING	S06	握柄扣環	GRIP BUCKLE
A01	上蓋	SLIDE	R03	子彈迫緊	RUBBER CHAMBER	S07	撞針扭簧	FIRING PIN SPRING
			R04	導管壓簧緩衝件	OUTER BARREL SPRING BUFFER-RUBBER	S09	回位壓簧	RECOIL SPRING
Z01	擊鐵箱	CHASSIS	G008	O形環 1X6	O-RING 1X6	S10	撞針卡榫壓簧	FIRING PIN CATCH SPRING
Z02	本體	FRAME	G016	O形環 PU S-4(黃)	O-RING PU S-4	S13	導管壓簧	OUTER BARREL SPRING
Z03	擊鐵卡榫	HAMMER CATCH	G022	O形環 S-8	O-RING S-8	S18	彈匣壓簧	MAGAZINE SPRING
Z04	擊鐵卡榫釋放件	HAMMER CATCH RELEASE				KG15-S20	心棒壓簧	VALVE SPRING
Z05	撞針卡榫	FIRING PIN CATCH	F01	擊鐵壓簧導桿	HAMMER SPRING GUIDE	S22	鈹機壓簧	TRIGGER SPRING
Z06	保險(左)	SAFETY(L)	F02	鈹機回位彈片	TRIGGER RECOVER SPRING	EA045	⊕M3.0X8 鍍鍍/耐落處理	SCREW M3.0X8
Z07	上蓋止動片	SLIDE STOPPER	F03	鈹機框	TRIGGER FRAME	EA061	⊕Ⅱ2.3X5束黑熱	SCREW 2.3X5
Z08	擊鐵	HAMMER	F04	槍管導管壓簧配件	OUTER BARREL SPRING BUFFER-METAL	EA064	⊕Ⅱ2.3X6束黑熱	SCREW 2.3X6
Z09	鈹機	TRIGGER				EA069	⊕ⅡM2.6X6黑	SCREW M2.6X6
Z10	握柄保險	GRIP SAFETY	B01	槍柄螺絲	GRIP SCREW	EA074	⊕ⅡM3X6黑	SCREW M3X6
Z11	彈匣卡榫	MAGAZINE CATCH	B02	彈匣上部軸	MAGAZINE RIB PIN	EA083	內六角M3X10黑	SOCKET SCREW M3x10
Z12	彈匣卡榫配件	MAGAZINE CATCH ACCESSORY	B03	槍柄後罩軸	REAR GRIP COVER PIN	EB002	彈簧墊圈	SPRING WASHER
Z13	槍柄後罩	GRIP REAR COVER	B04	保險定位軸	SAFETY LOCATOR PIN	EC001	彈簧銷1.5*6L鍍黑	SPRING PIN 1.5*6L
Z14	擊鐵壓簧套	HAMMER SPRING SLEEVE	B05	上蓋止動片軸	SLIDE STOPPER PIN	EC006	彈簧銷2.0X8L鍍黑	SPRING PIN 2.0X8L
Z15	擊鐵壓簧配件	HAMMER SPRING ACCESSORY	B08	上蓋止動片定位軸	SLIDE STOPPER LOCATOR PIN	E08	內六角止付螺絲	MAGAZINE BOTTOM CAP
Z16	上蓋前罩	SLIDE FRONT BUSHING	B13	回位導桿後部	RECOIL GUIDE REAR			
Z17	固定套	PLUG	B15	上蓋止動片軸套	SLIDE STOPPER PIN SLEEVE			
Z20	氣缸	CYLINDER	B16	氣瓶頂針	PUNCTURE VAVLE			
Z22	後準星	REAR SIGHT	B17	氣閥本體	VALVE FRAME	X1	氣缸半組件	SEMI-CYLINDER UNIT
Z24	撞針	FIRING PIN	B18	心棒後部	VALVE REAR	X2	槍管組件	INNER BARREL UNIT
Z25	擊鐵箱左蓋	CHASSIS-LEFT	B19	擊鐵箱軸	CHASSIS PIN	U1	鈹機組件	TRIGGER UNIT
Z26	擊鐵箱中蓋	CHASSIS-CENTER	B20	內槍管	INNER BARREL	U2	氣閥組件	VALVE UNIT
Z29	保險卡榫導件	SAFETY CATCH GUIDE	B21	握柄保險軸套右	GRIP SAFETY SLEEVE-R	U3	擊鐵組件	HAMMER UNIT
Z32	槍管導管	OUTER BARREL	B31	槍管右蓋軸	OUTER BARREL AXLE (R)	U4	氣瓶頂針組件	PUNCTURE VAVLE UNIT

AAKCMB77 系列零件分解圖 AAKCMB77 SERIES EXPLORED VIEW



※零件有時為了改良而不經預告變更。
Spare parts may be modified for quality improvement
And such modification may be without advance notice.