

Special thanks

KSK(Kommando Spezialkräfte) Prague , Czech Republic

S.M.O.G. Baden (Germany)



星虹玩具有限公司
STAR RAINBOW TOYS CO.,LTD

Address : Room D2, No. 36, Alley 82, Lane 422, Minzu Rd., Lujhou City,
Taipei County 247, Taiwan (R.O.C.)

TEL:886-2-82853848

FAX:886-2-28484622

E-mail:src@starrainbow.com.tw

Web:www.starrainbow.com.tw

Dealer



SR-71 GBB
SERIES
6MM CAL. AIRSOFT RIFLE

MADE IN TAIWAN

INSTRUCTION MANUAL

SR-74 GBB SERIES

6MM CAL. AIRSOFT RIFLE



SAFETY INFORMATION



When using airsoft guns eye protection is required (goggles or mask)

Never place your finger on the trigger until you are ready to fire the gun. Always put the gun in safe mode when not in use. Treat every gun as if it is loaded.



Please keep away from children



Please select a safe place to fire your airsoft gun. Always know your state and local laws concerning airsoft gun use.



BBs may remain in the barrel after magazine removal. To avoid injury, never look directly into the barrel and ensure the gun is always pointed in a safe direction.



Do not aim or shoot at humans, animals, buildings, or vehicles.



Disassembly or modification of this product may result in damage to your Airsoft gun, loss of warranty, and/or serious injury.



Please use a firearm case or bag when transporting your airsoft gun.



SR74 GBB SERIES MODELS



SR-74U
GB-201TM



SR-74
GB-203TM

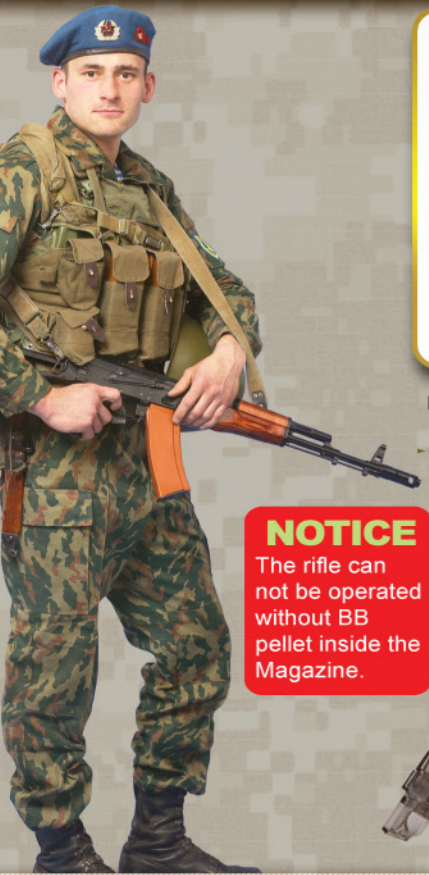


SR-74S
GB-202TM

SR74 GBB SERIES PARTS DESCRIPTION



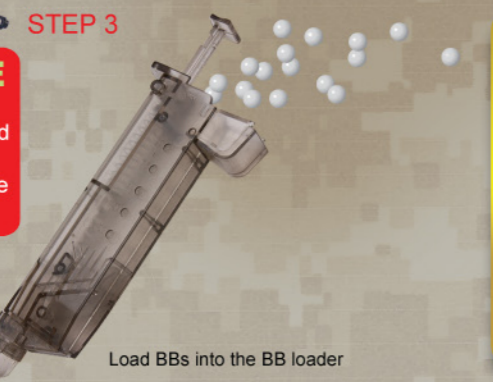
1 GAS INJECTION & LOADING BB PELLETS



Please use SRC Green Gas (Optional)



1. Turn the Magazine upside down with gas refill inlet facing upwards.
2. Keeping the gas cylinder inverted and vertical to the Magazine, inject gas until completely filled.



Load BBs into the BB loader

NOTICE
The rifle can not be operated without BB pellet inside the Magazine.



Push loading rod to fill 45R BBs into the Magazine.



First locking the front of Magazine



Locking the rear of Magazine until you hear it click into place . The gun is now ready to fire.

WARNING
Green Gas is flammable. Keep away from open flame when loading and during use.

2 SHOOTING MODES **WARNING!** Always keep your finger off the trigger until you ready to fire the gun. Make sure the muzzle is always pointed in a safe direction.



Safe Mode



Full Auto Mode



Semi Mode

3 HOP-UP ADJUSTMENT

Wrong Hop-Up set to high (slide the Hop-Up lever towards NORMAL)

Best position **Right**

Wrong Hop-Up set to low (slide the Hop-Up lever towards HOP)

WARNING

- Always keep finger off the trigger until you are ready to fire. Make sure the muzzle is pointing in a safe direction.
- Keep the selector on safe mode until you are ready to shoot.



Pull the Charging Handle to rear and release will ready to fire.



To reduce the Hop-Up setting slide the Hop-Up lever towards the NORMAL setting.



To increase the Hop-Up setting slide the Hop-Up lever towards the HOP setting.

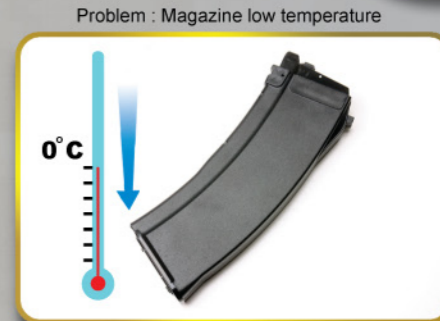
4 TROUBLESHOOTING Problem : GBB does not function



Selector lever on safe mode. Turn the Selector Lever to Auto or semi mode.

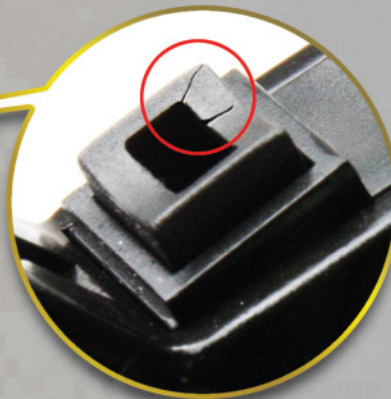


Problem : Not loading. Pull the Charging Handle to rear and release it.



Problem : Magazine low temperature. Stop shooting. Let the Magazine temperature rise.

Problem : Magazine leak



Problem : Nozzle rubber aged or broken.

Replacement the Nozzle rubber. Please contact you local dealer or reseller.

WARNING

Green gas is flammable. Keep away from open flame when loading and during use.

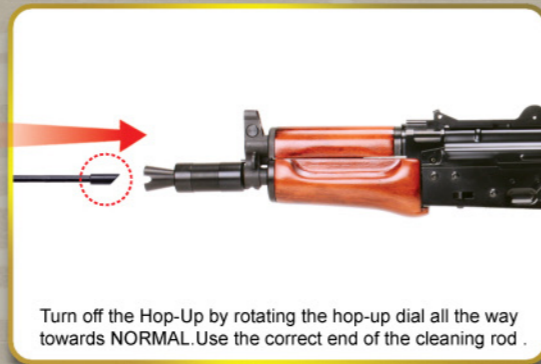
TROUBLESHOOTING
Problem : **Clearing jammed BBs**

WARNING

Use SRC Precision BBs only. The use of low-quality BBs may cause damage to your airsoft gun.



Remove the magazine



Turn off the Hop-Up by rotating the hop-up dial all the way towards NORMAL. Use the correct end of the cleaning rod .



Insert the Cleaning rod into the Barrel to remove the jammed BBs..



Use Airsoft Safe Silicone to lubricate the hop up chamber and Magazine lip. Use silicone lubricant sparingly..



Problem : **Decrease progressive in blow back action**



WARNING

Always keep finger off the trigger until you are ready to fire. Make sure the muzzle is pointing in a safe direction. Keep the selector on safe mode until you are ready to shoot.

Cause : Magazine low temperature

Solution : Stop Shooting let the Magazine temperature rise.

Cause : The gas of magazine exhausted .

Solution : Refill the gas.

Cause : Magazine leak (Nozzle rubber aged or broken).

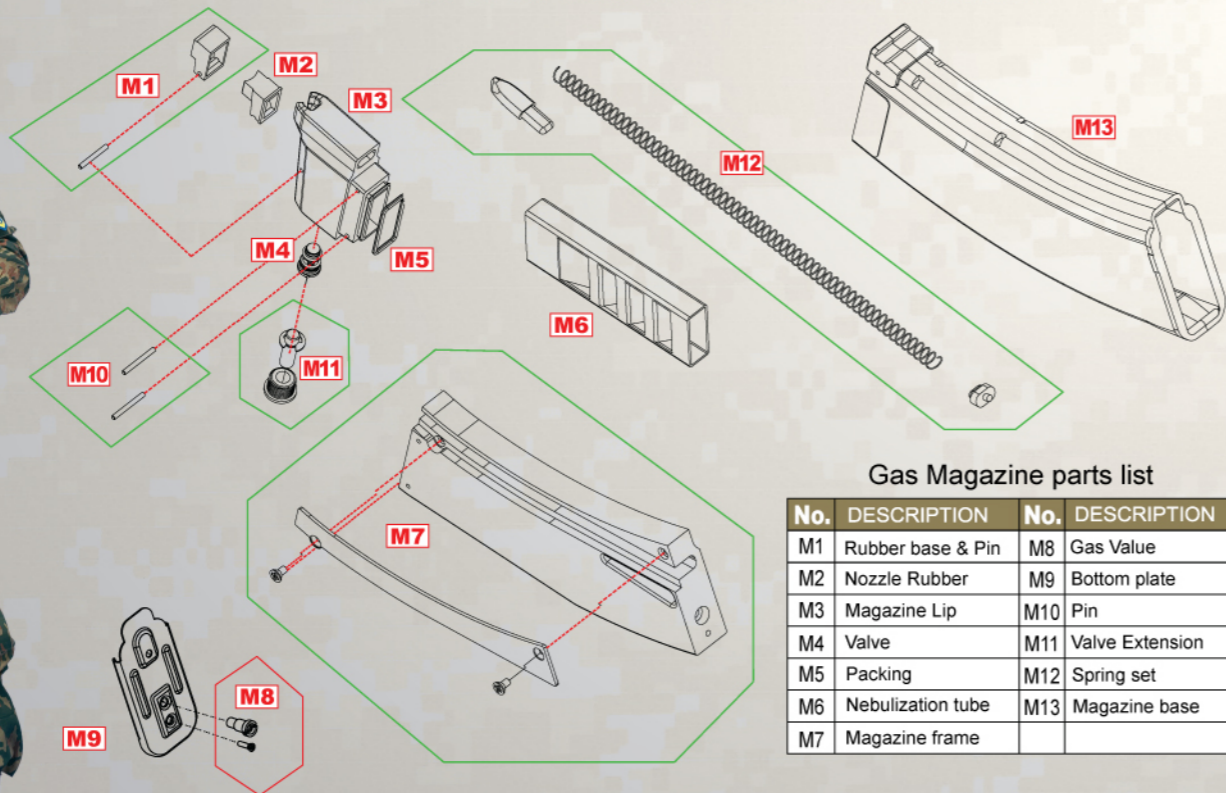
Solution : Replacement the Nozzle rubber.



5 SR74 GBB SERIES SCHEMATIC

6MM CAL. AIRSOFT RIFLE

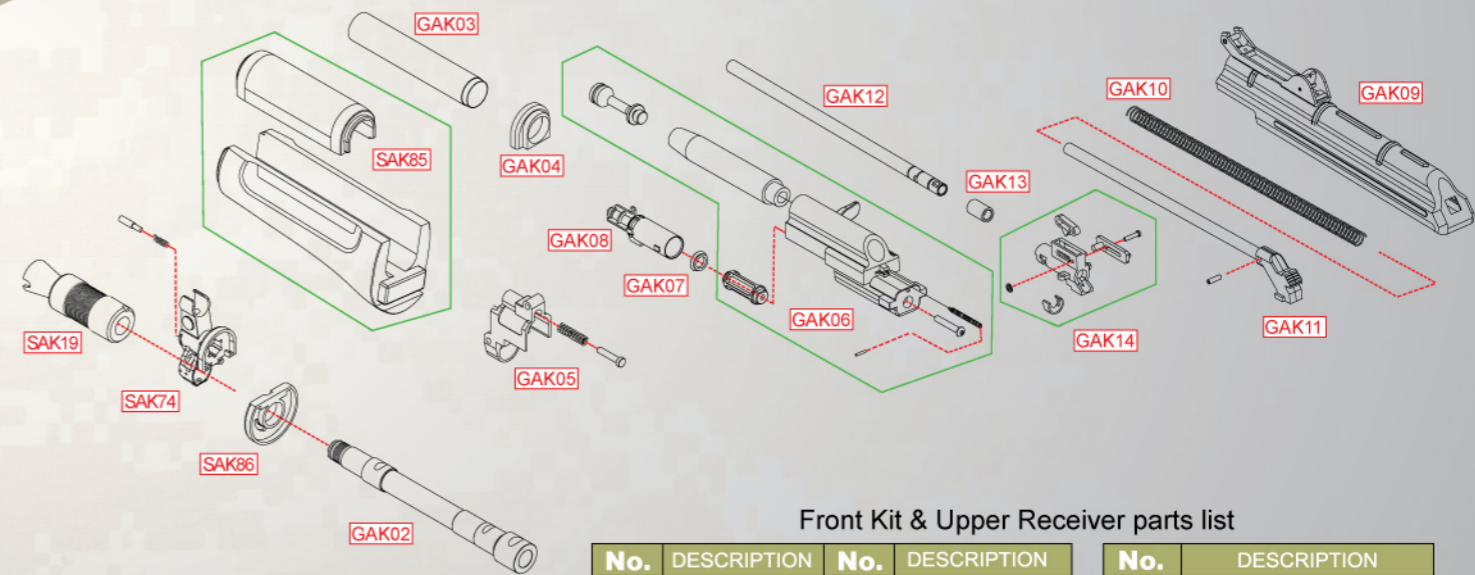
SR74U GBB GAS MAGAZINE SCHEMATIC



Gas Magazine parts list

No.	DESCRIPTION	No.	DESCRIPTION
M1	Rubber base & Pin	M8	Gas Valve
M2	Nozzle Rubber	M9	Bottom plate
M3	Magazine Lip	M10	Pin
M4	Valve	M11	Valve Extension
M5	Packing	M12	Spring set
M6	Nebulization tube	M13	Magazine base
M7	Magazine frame		

SR74U GBB SCHEMATIC (Front Kit & Upper Receiver)

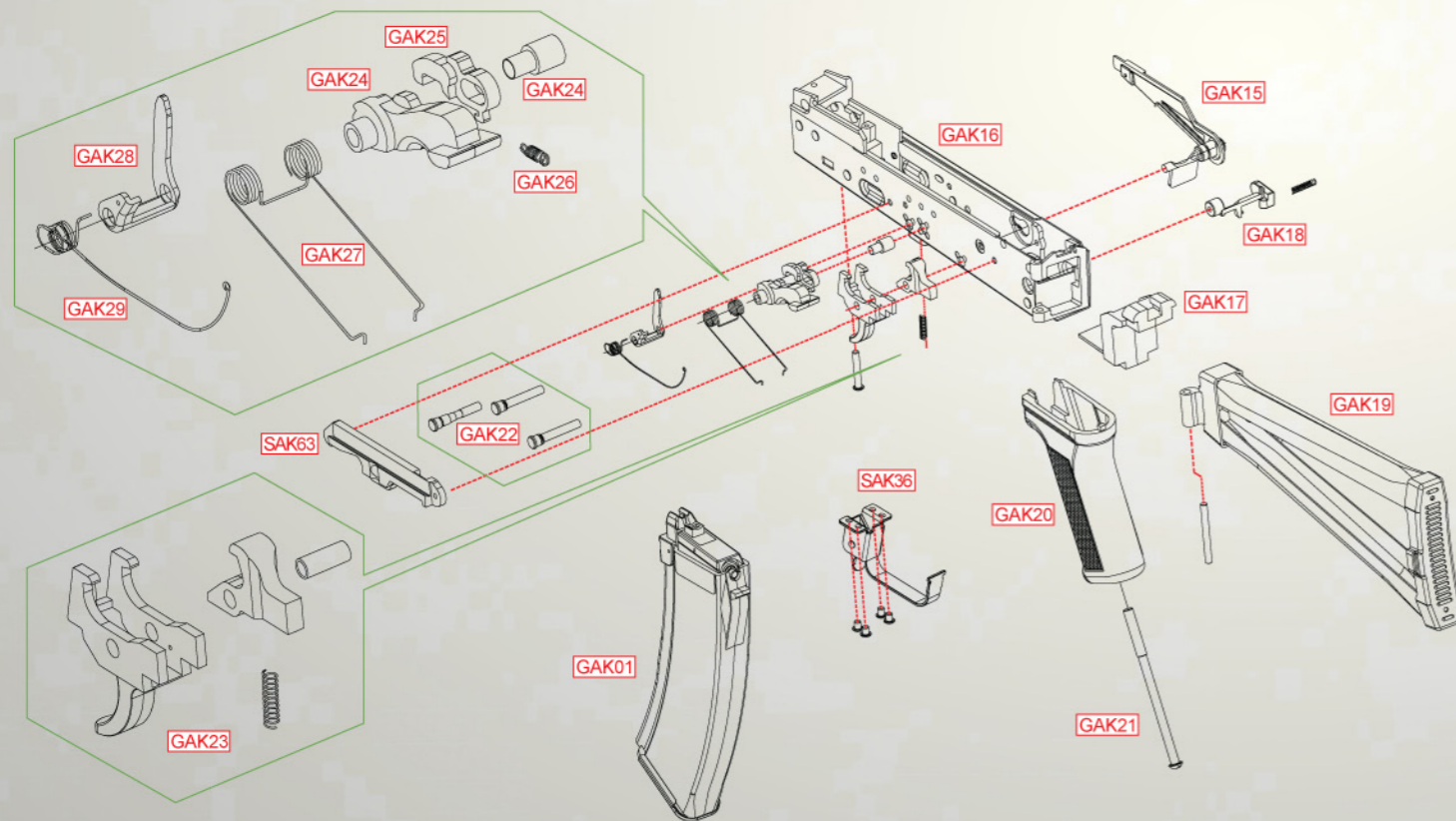


Front Kit & Upper Receiver parts list

No.	DESCRIPTION	No.	DESCRIPTION	No.	DESCRIPTION
GAK02	Barrel	GAK09	Receiver top	SAK19	AK β Flash Hider
GAK03	Inner gas tube	GAK10	Recoil spring	SAK74	AK-U Steel Front Sight
GAK04	Handguard base	GAK11	Recoil spring guide	SAK85	SR-74U wood Handguard set
GAK05	Barrel base	GAK12	Inner barrel	SAK86	Handguard base
GAK06	Bolt carrier	GAK13	Hop up bucking		
GAK07	O ring	GAK14	Hop up chamber		
GAK08	Air Nozzle				

You can buy all parts from your local dealer or reseller.

SR74U GBB SCHEMATIC (Lower Receiver)
6MM CAL. AIRSOFT RIFLE



SR74U GBB PARTS LIST



Lower Receiver parts list

No.	DESCRIPTION	No.	DESCRIPTION
GAK15	Selector Lever	GAK22	Lock pin set
GAK16	Lower Receiver	GAK23	Trigger set
GAK17	Grip Base	GAK24	Hammer set
GAK18	Stock release button	GAK25	Firing pin
GAK19	Folding Stock	GAK26	Hammer spring
GAK20	Grip	GAK27	Sear spring
GAK21	Grip screw	GAK28	Sear

Lower Receiver parts list

No.	DESCRIPTION
GAK29	Spring
SAK36	Trigger Guard
SAK63	AK Scope mount
GAK01	45R Gas Magazine

MEMO